

Stainless steel round cylinders

series AP

DESCRIPTION

Calked stainless steel cylinders series "AP", with round profile, are available from Ø32 to Ø63 in the following versions: double acting base, through rod, magnetic and non-magnetic. They are also available in the version to ATEX directive, 2GD category.

TECHNICAL DATA

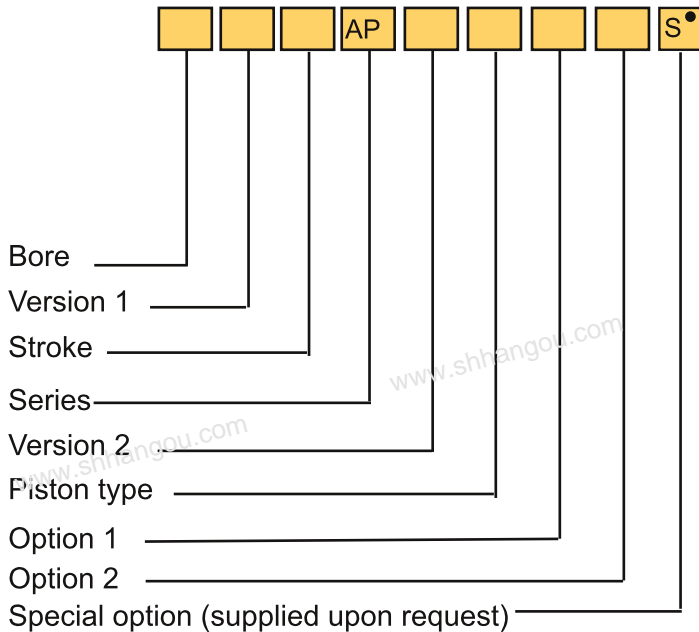
Operating pressure	1÷10 bar
Working temperature	0°C ÷ +80°C (with dry air -35°C) 0°C ÷ +150°C with VITON® seals (with dry air -10°C)
Fluid	Filtered, unlubricated or continuous lubricated compressed air
Versions	Double acting; Through rod
Bore	Ø 32, 40, 50, 63
Port size	Ø 32 = G 1/8 Ø 40 - 50 = G 1/4 Ø 63 = G 3/8
Standard strokes (mm)	10, 25, 50, 80, 100, 125, 160, 200, 250, 320, 400, 500
Max strokes (mm)	500



MATERIAL

End caps	AISI 304 stainless steel
Cylinder barrel	Extruded profile, AISI 304 stainless steel
Barrel-end cover fixing type	Irreversible calking with dual-seal system, mechanical and pneumatic
Piston rod	AISI 316 stainless steel
Rod nut and ring nut	AISI 304 stainless steel
Piston rod bearing	Self lubricating sintered bronze
Piston	Aluminium alloy (supplied with or without magnet)
Seals	Polyuretane - Viton®

ORDER KEY



P.S.: Magnetic sensors FM100-FM157 (see chapter magnetic sensor from page 1.93 CAT.08/IT)

• See technical data on page 0.12 CAT.08/IT

VERSION 1

/ Basic cylinder **R** Through rod

VERSION 2

D Double acting

PISTON TYPE

C Non-magnetic

E Magnetic*

OPTION 1

2 VITON® seals

OPTION 2

/EX Complies with the ATEX directive

Ex II 2GDc T5 T100°C -20°C < Ta < 80°C

* It's possible use it with VITON seals for applications with chemical compatibility; It's not supplied for with high temperature applications.

ORDER EXAMPLE

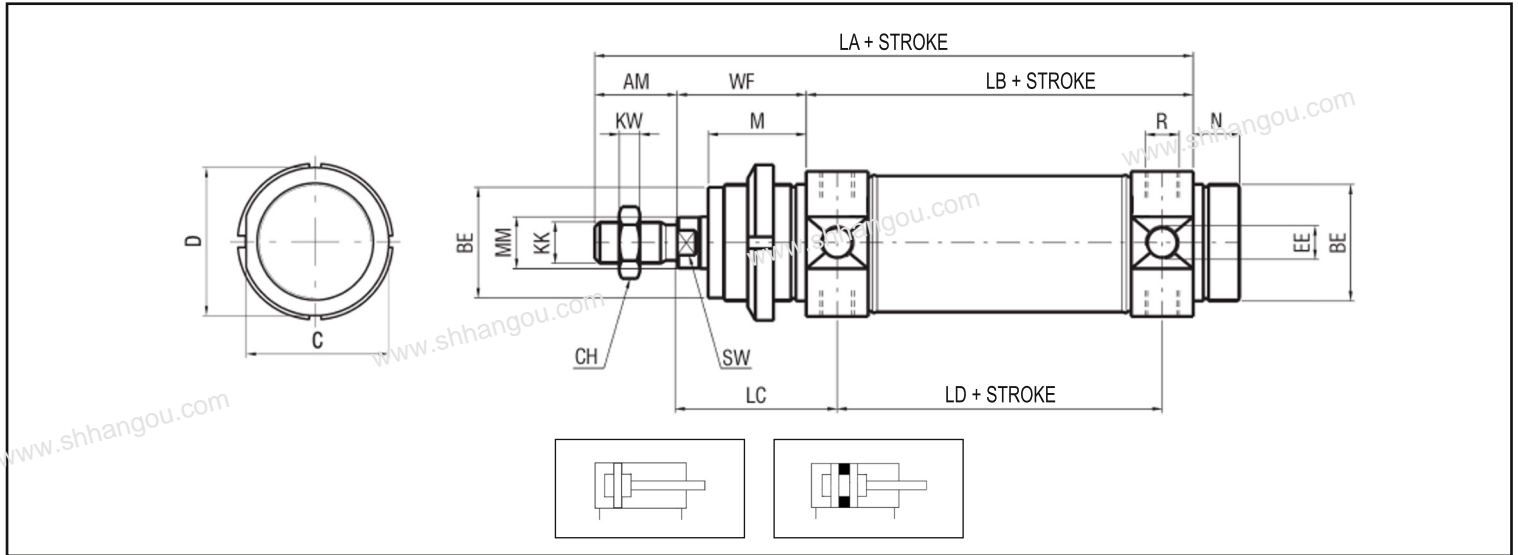
Basic cylinder Ø 32, 50 mm stroke, double acting, non-magnetic piston type, ATEX: **32/50 APDC/EX**

Basic cylinder Ø 63, 50 mm stroke, double acting, magnetic piston type: **63/50 APDE**

Cylinder Ø 40, through rod, 100 mm stroke, double acting, magnetic piston type: **40R100 APDE**

AP BASIC CYLINDER

1

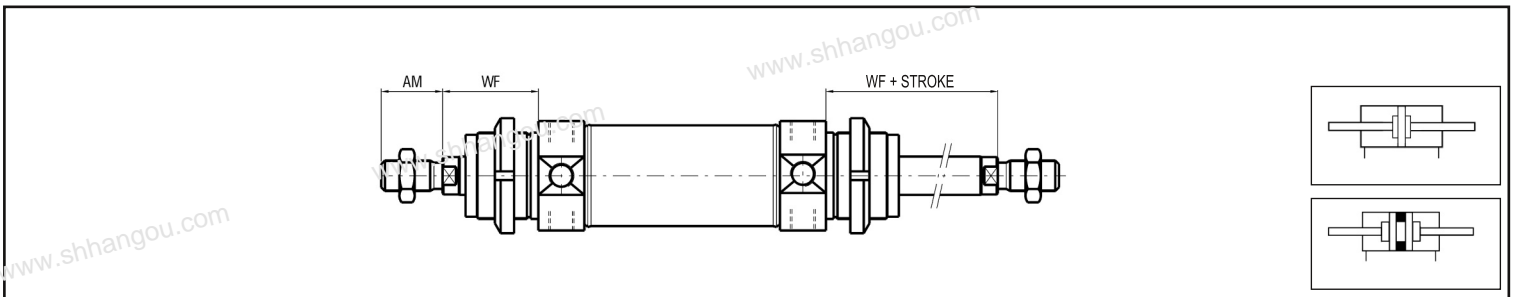


P.S.: End cap ring nut and rod nut supplied as standard

DIMENSIONS AND WEIGHTS BASIC CYLINDER

∅	AM	BE	C	CH	D	EE	KK	KW	LA	LB	LC	LD	M	MM	N	R	SW	WF	WEIGHT (g)	INCR.(g) x 10mm
32	20	M30X1.5	36.5	17	38	G1/8	M10	6	154	96	47	78	30	12	14	M8x1	10	38	789	15.3
40	24	M38X1.5	44	19	46	G1/4	M12	7	182	113	57	89	35	16	16	M10x1	13	45	1410	23.7
50	32	M45X1.5	55	24	57	G1/4	M16	8	202	120	62	96	38	20	18	M12x1.5	17	50	2383	39.6
63	32	M45X1.5	67.5	24	70	G3/8	M16	8	206	124	63	98	38	20	18	M14x1.5	17	50	3231	43.4

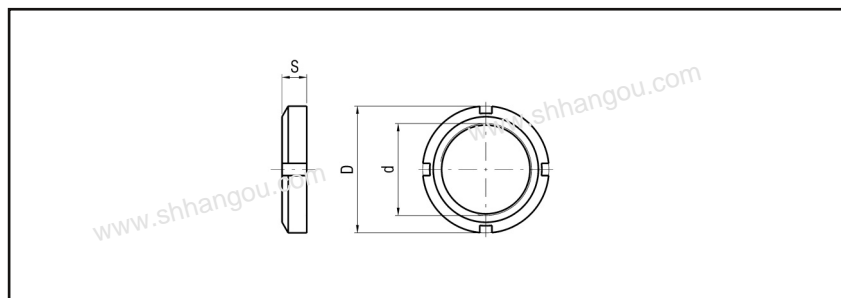
THROUGH ROD



P.S.: End cap ring nuts and rod nuts supplied as standard

RING NUT - STAINLESS STEEL - UPG Ø

Ø	d	D	S	WEIGHT (g)
32	M30x1,5	45	7	43
40	M38x1,5	50	8	80
50-63	M45x1,5	58	9	122

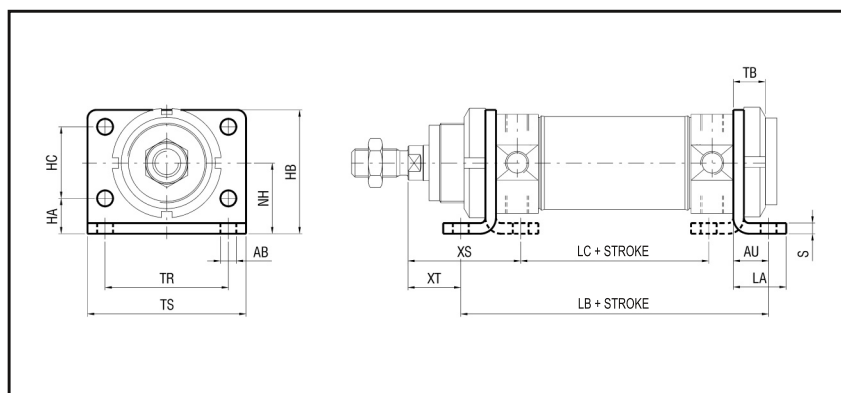


1

FLANGE/FOOT - STAINLESS STEEL - UPFP Ø

Ø	AB	AU	HA	HB	HC	LA	LB	LC
32	7	14	14	49	28	21	124	76
40	9	20	18	58	30	30	153	83
50	9	20	20	70	40	30	160	92
63	9	20	20	80	50	30	164	92

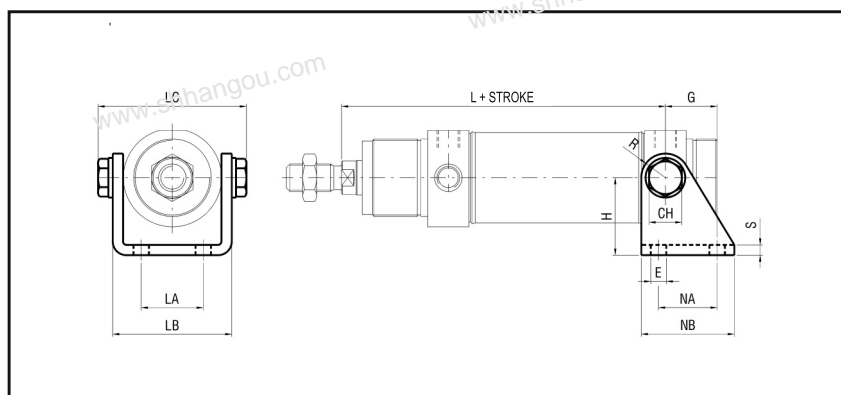
Ø	NH	S	TB	TR	TS	XS	XT	WEIGHT (g)
32	28	4	11	52	66	48	24	98
40	33	5	13	60	80	60	25	183
50	40	6	14	70	90	64	30	276
63	45	6	14	76	96	64	30	395



REAR HINGE - STAINLESS STEEL - UPSC Ø

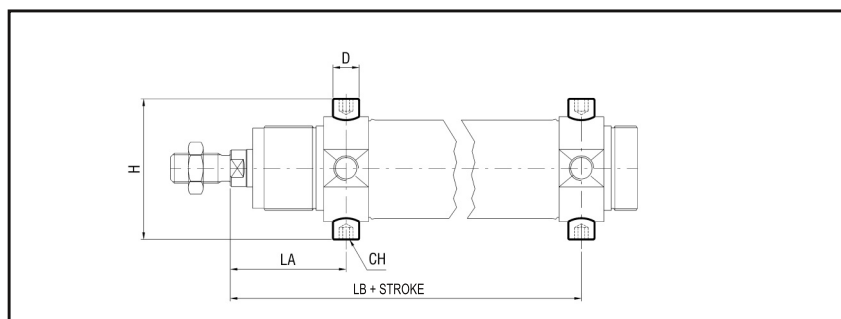
Ø	CH	E	G	H	L	LA	LB
32	13	7	20	35	125	20	46.1
40	17	9	27	40	146	28	56.1
50	19	9	30	45	158	36	69.1
63	19	9	34	50	161	42	82.1

Ø	LC	NA	NB	R	S	WEIGHT (g)
32	53	24	40	12	4	150
40	70	30	50	13	5	259
50	86	34	54	14	6	403
63	99	35	65	16	6	520



PIVOT (pair) - STAINLESS STEEL - UPT Ø

Ø	D	H	LA	LB	CH	WEIGHT (g)
32	10	51	47	125	5	10
40	12	61	57	146	6	20
50	14	75	62	158	6	40
63	16	92	63	161	8	65

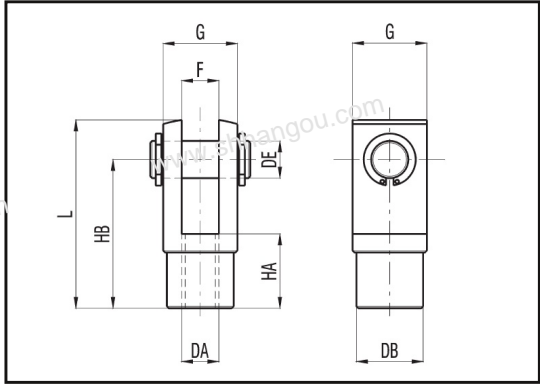


series AP

AISI 303 stainless steel attachment for cylinders

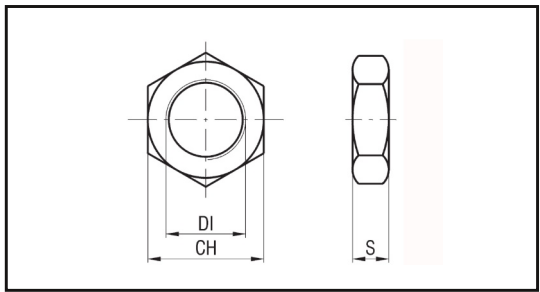
FEMALE PISTON ROD CLEVIS WITH PIN AND SNAP RING DIN 71752 - STAINLESS STEEL - A/FF__

∅	DA	DB	DE	F b12	G	HA	HB	L	WEIGHT (g)	TYPE
32	M10	18	10	10	20	20	40	52	38	A/FF10
40	M12	20	12	12	24	24	48	62	66	A/FF12
50-63	M16	26	16	16	32	32	64	83	146	A/FF16



ROD NUT - STAINLESS STEEL - DSTI__

∅	DI	CH	S	WEIGHT (g)	TYPE
32	M10	17	6	8.6	DSTI10X1.5
40	M12	19	7	12.1	DSTI12X1.75
50-63	M16	24	8	20.1	DSTI16X2

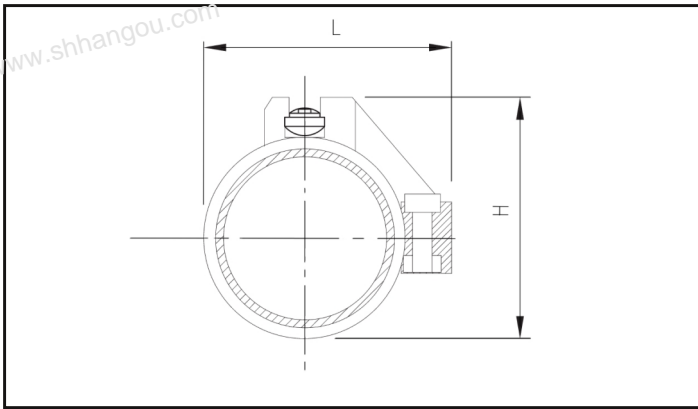


MAGNETIC SENSORS FM100 - FM157

See chapter magnetic sensors FM series from page 1.93 CAT.08/IT

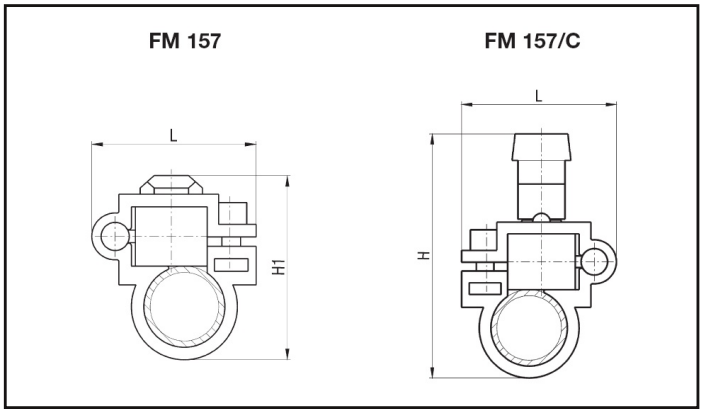
MAGNETIC SENSORS FIXING SERIES FM100 - FM157

FM100 MAGNETIC SENSOR FIXING ADAPTER - PLASTIC - FG__



∅	H	L	TYPE
32	44	46	FG32
40	52	54	FG40
50	62	64	FG50
63	76	78	FG63

FM157 MAGNETIC SENSOR FIXING ADAPTER - PLASTIC - FG/___



∅	H1	H	L	TYPE
32	51	65	32	FG/056
40	60	73	32	FG/057
50	70	83	32.5	FG/058
63	84	97	32.5	FG/059