

Stainless steel compact cylinders to ISO 21287 standard

series ABU

DESCRIPTION

Stainless steel compact cylinders series "ABU" comply with ISO 21287 standard and they are available from Ø20 to Ø100. Besides from Ø125 to Ø200 they are available with end caps distance between centers to ISO 15552 standard. Cylinders series "ABU" have magnetic piston as standard and so they can be supplied with magnetic sensors.

TECHNICAL DATA

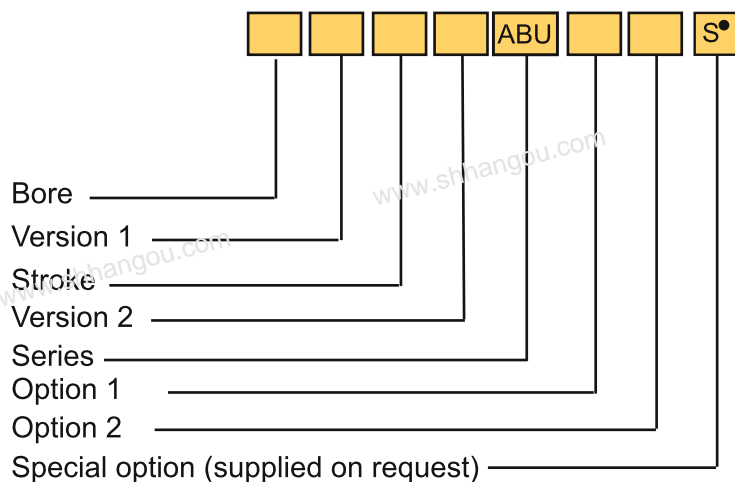
Operating pressure	Single acting: 2 ÷ 10 bar Double acting: 1 ÷ 10 bar
Working temperature	0°C ÷ +80°C (with dry air -30°C) 0°C ÷ +200 °C with VITON® seals (with dry air -10 °C)
Fluid	Filtered, unlubricated or continuous lubricated compressed air
Versions	Double acting; Through rod; Single acting rear spring; Single acting front spring
Bore	Ø 20, 25, 32, 40, 50, 63, 80, 100, 125, 160, 200
Port size	Ø 20 - 25 = M5; Ø 32 - 100 = G 1/8; Ø 125 = G 1/4; Ø 160 - 200 = G 3/8
Standard strokes (mm)	10, 25, 50, 75, 100, 125, 160, 200, 250, 300
Maximum strokes (mm)	Ø 20 - 25 = 200; Ø 32 - 40 = 250; Ø 50 ÷ 200 = 300
Max. strokes single acting (mm)	Ø 20 - 100 = 25



MATERIALS

End caps	Ø 20 ÷ 100 = INOX AISI 316 stainless steel Ø 125 ÷ 200 = INOX AISI 304 stainless steel
Cylinder barrel	Ø 20 ÷ 100 = AISI 316 stainless steel extruded tube Ø 125 ÷ 200 = AISI 304 stainless steel extruded tube
Tie rods, tie and rod nuts	Ø 20 ÷ 100 = INOX AISI 316 stainless steel Ø 125 ÷ 200 = INOX AISI 304 stainless steel
Piston rod	Ø 20 ÷ 100 = INOX AISI 316 stainless steel Ø 125 ÷ 200 = INOX AISI 304 stainless steel
Rod nut	Ø 20 ÷ 100 = INOX AISI 316 stainless steel Ø 125 ÷ 200 = INOX AISI 304 stainless steel
Piston rod bearing	Bronze + PTFE
Piston	Aluminium alloy
Seals	Polyurethane - VITON®
Springs	Springs steel

ORDER KEY



P.S.: Magnetic sensors FM100 (see chapter magnetic sensors from page 1.93 CAT.08/IT)

● See technical data on page 0.12 CAT.08/IT

ORDER EXAMPLES

Basic cylinder Ø50, 50 mm stroke, double acting, female threaded piston rod **50/50 DABU8**

Basic cylinder Ø32, 25 mm stroke, single acting front spring, male threaded piston rod **32/25 SABU7**

VERSION 1

/ Basic cylinder **R** Through rod

VERSION 2

D Double acting **Y** Simple acting rear spring*

S Simple acting front spring*

OPTION 1

2 VITON® seals**

OPTION 2

7 Male threaded piston rod **8** Female threaded piston rod

* Supplied only from Ø 20 to Ø 100

** Usable for applications with chemical compatibility; It's not supplied for with high temperature applications.

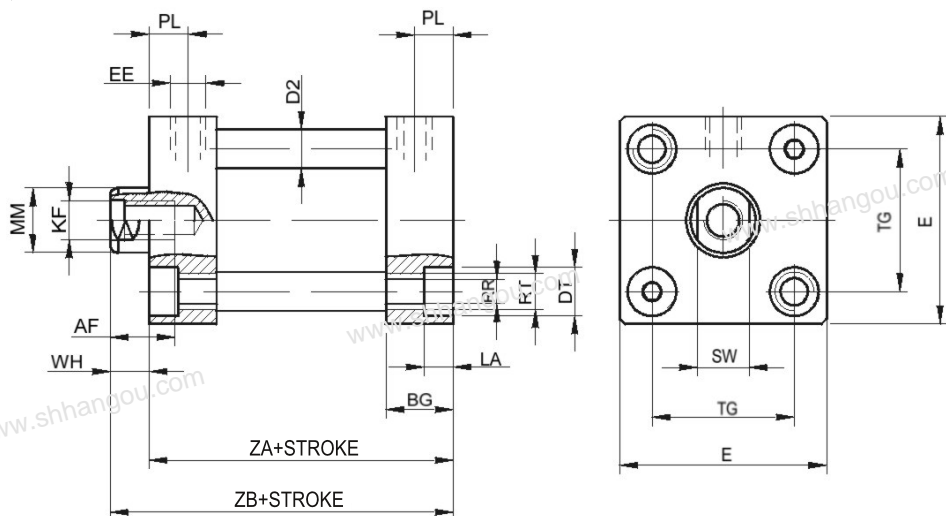
SPARE PARTS

SEALS KIT

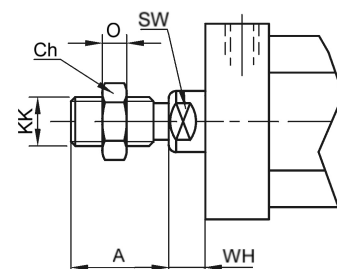
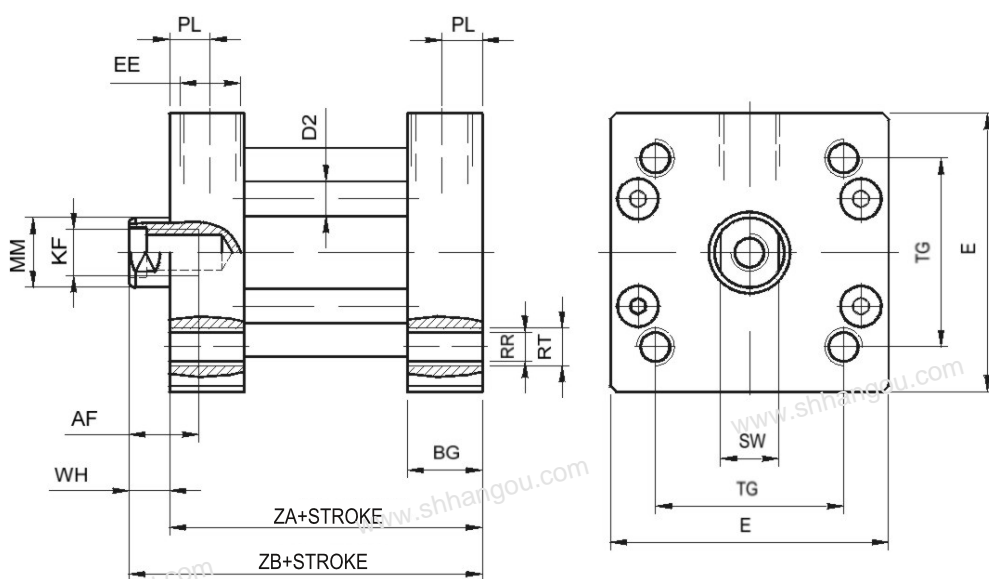
Polyurethane	Ø/SG/ABU
Through rod, Polyurethane	Ø/SG/R/ABU
VITON®	Ø/SG/ABU2
Through rod, VITON®	Ø/SG/R/ABU2

ABU BASIC CYLINDER, FEMALE THREADED PISTON ROD AND MALE THREADED PISTON ROD

Ø 20 - 25



Ø32 ÷ 200



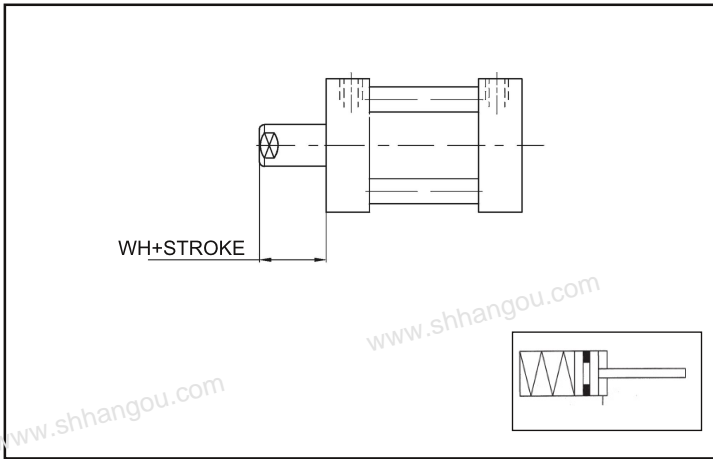
Male threaded piston rod detail
Ø 20 ÷ 200

P.S.: Rod nut supplied as standard

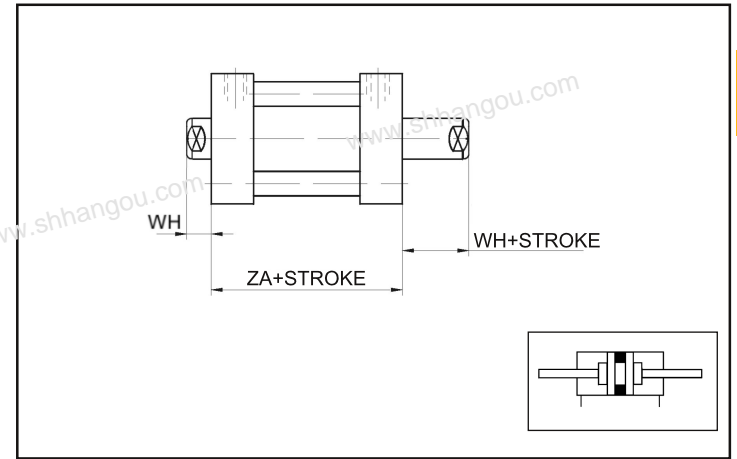
DIMENSIONS AND WEIGHTS BASIC CYLINDER

Ø	A	AF	BG	CH	D2	DT	E	EE	KF	KK	LA	MM	O	PL	RR	RT	SW	TG	WH	ZA	ZB	WEIGHT (g)	INCR.(g) x 5 mm
20	16	10	10,4	13	6	7,5	32	M5	M6	M8	4,5	10	5	6	4,2	M5	8	22	6	37	43	289	8
25	16	10	11,4	13	6	7,5	36	M5	M6	M8	4,5	10	5	6	4,2	M5	8	26	6	39	45	343	13,5
32	19	12	12,9	17	6	-	49	G 1/8	M8	M10x1,25	-	12	6	7	5,2	M6	10	32,5	7	44	51	674	17,5
40	19	12	13,2	17	6	-	56	G 1/8	M8	M10x1,25	-	12	6	7	5,2	M6	10	38	7	45	52	882	19
50	22	16	13,2	19	7	-	66	G 1/8	M10	M12x1,25	-	16	7	7	6,7	M8	13	46,5	8	45	53	1204	27
63	22	16	12,6	19	8	-	78	G 1/8	M10	M12x1,25	-	16	7	7	6,7	M8	13	56,5	8	49	57	1877	38
80	28	20	13,3	30	10	-	98	G 1/8	M12	M16x1,5	-	20	8	7,5	8,5	M10	17	72	10	54	64	2660	57
100	28	24	17,6	30	10	-	116	G 1/8	M12	M16x1,5	-	25	8	9,5	8,5	M10	21	89	10	67	77	4760	72
125	54	25	22	41	10	-	140	G 1/4	M14	M27x2	-	30	12	10	10,2	M12	28	110	10	78	88	7890	194
160	72	30	26	55	12	-	180	G 3/8	M20	M36x2	-	40	14	12	14,2	M16	36	140	12	87	99	15290	295
200	72	30	26	55	14	-	220	G 3/8	M20	M36x2	-	40	14	12	14,2	M16	36	175	12	87	99	23440	450

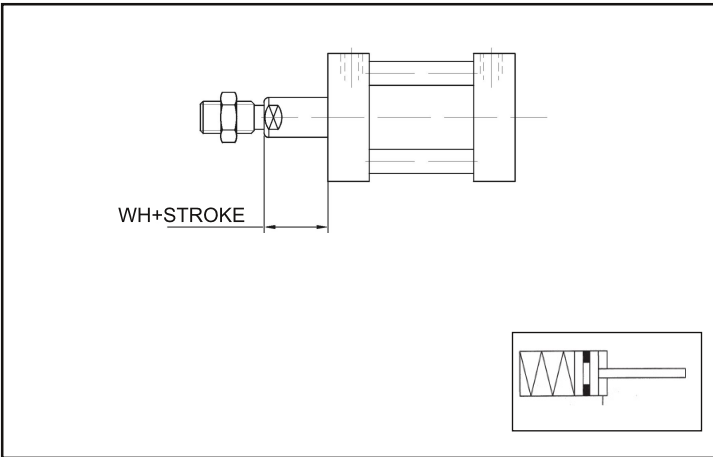
**SINGLE ACTING, REAR SPRING,
FEMALE THREADED PISTON ROD**



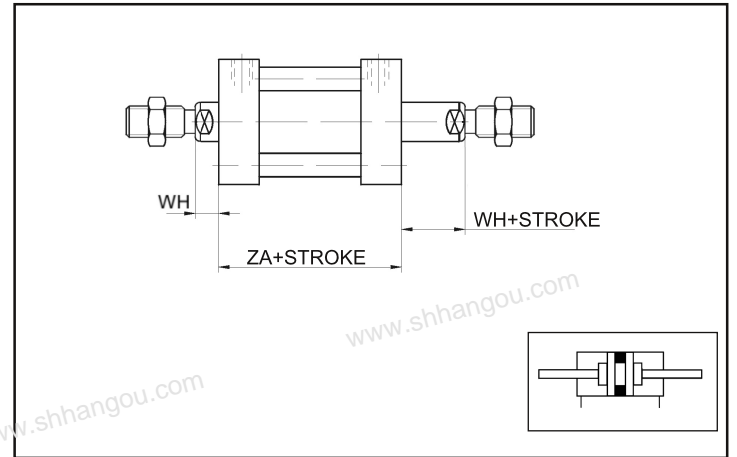
FEMALE THREADED THROUGH ROD



**SINGLE ACTING, REAR SPRING,
MALE THREADED PISTON ROD**



MALE THREADED THROUGH ROD

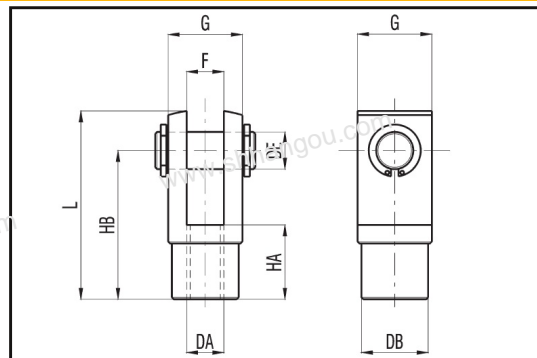


P.S.: Rod nut supplied as standard

P.S.: Rod nuts supplied as standard

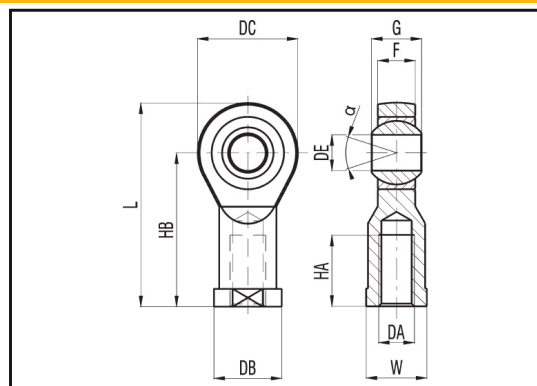
FEMALE PISTON ROD CLEVIS WITH PIN AND SNAP RING ISO 8140 - STAINLESS STEEL - A/FFP__

Ø	DA	DB	DE	F b12	G	HA	HB	L	WHEIGHT (g)	TYPE
20-25	M8	14	8	8	16	16	32	42	44	A/FFP8
32-40	M10X1.25	18	10	10	20	20	40	52	90	A/FFP10X1.25
50-63	M12X1.25	20	12	12	24	24	48	62	130	A/FFP12X1.25
80-100	M16X1.5	26	16	16	32	32	64	83	330	A/FFP16X1.5
125	M27X2	48	30	30	55	55	110	148	2100	A/FFP27x2
160-200	M36X2	60	35	35	70	72	144	188	5800	A/FFP36x2



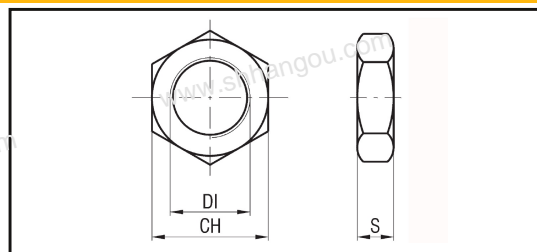
SELF-LUBRICATING PISTON ROD EYE TO DIN ISO 12240 STANDARD - STAINLESS STEEL - A/FF__/SS

Ø	DA	DB	DC	DE	F	G	HA	HB	L	W	α	WHEIGHT (g)	TYPE
20-25	M8	16	24	8	9	12	16	36	48	14	14	46	A/FF8/SS
32-40	M10X1.25	19	28	10	10.5	14	20	43	57	17	13	76	A/FF10X1.25/SS
50-63	M12X1.25	22	32	12	12	16	22	50	66	19	13	110	A/FF12X1.25/SS
80-100	M16X1.5	27	42	16	15	21	28	64	85	22	15	220	A/FF16X1.5/SS
125	M27X2	50	70	30	25	37	51	110	145	41	17	1200	A/FF27x2/SS



ROD NUT - STAINLESS STEEL - DSTI__

Ø	DI	CH	S	WHEIGHT (g)	TYPE
20-25	M8	13	5	4	DSTI8
32-40	M10X1.25	17	6	8.6	DSTI10X1.25
50-63	M12X1.25	19	7	12.1	DSTI12X1.25
80-100	M16X1.5	24	8	20.1	DSTI16X1.5
125	M27X2	41	12	90	DSTI27x2
160-200	M36X2	55	14	190	DSTI27x2



MAGNETIC SENSORS SERIES FM100

See chapter magnetic sensors FM series from page 1.93 CAT.08/IT

MAGNETIC SENSOR FIXING SERIES FM100

SENSOR FIXING BRACKETS - AISI 304 STAINLESS STEEL - IFS__

Ø	TYPE
32 ÷ 100	IFS1
125 ÷ 200	IFS2

