

series C

DESCRIPTION

The single acting front spring cartridge micro-cylinders are available in three bores (6, 10, 16), each bore in three stroke (5, 10, 15) and in two versions: threaded or non-threaded piston rod. They are used in applications where a must is to have extremely small actuators.

The thread on cylinder barrel helps the assembling directly on the industrial machines.



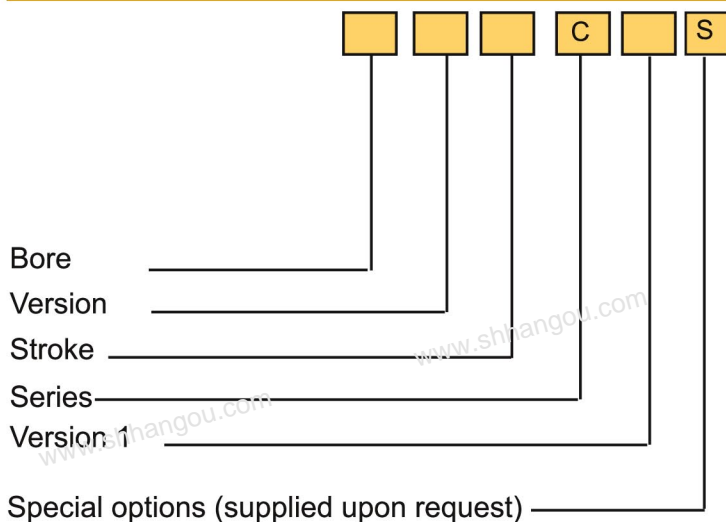
TECHNICAL DATA

Operating pressure	2÷6 bar
Working temperature	Ø6: 0 °C ÷ + 80 °C (-20 °C with dry air) Ø10-16: 0 °C ÷ + 80 °C (-35 °C with dry air)
Fluid	Filtered, un-lubricated or cont. lubricated compr. air
Versions	Single acting front spring
Bore	Ø 6, 10, 16
Port size	Ø6÷16 =M5
Standard strokes (mm)	5, 10, 15

MATERIALS

Body	Nickel-plated brass
Seals	Ø6: NBR Ø10 - 16: Polyurethane
Piston rod	AISI 303 stainless steel
Nuts	Galvanized steel

ORDER KEY



VERSION

/ Single acting front spring

OPTION 1

L Smooth piston rod

F Threaded piston rod

ORDER EXAMPLES

Cylinder Ø 6, single acting front spring, 15 mm stroke, smooth piston rod:

6/15 CL

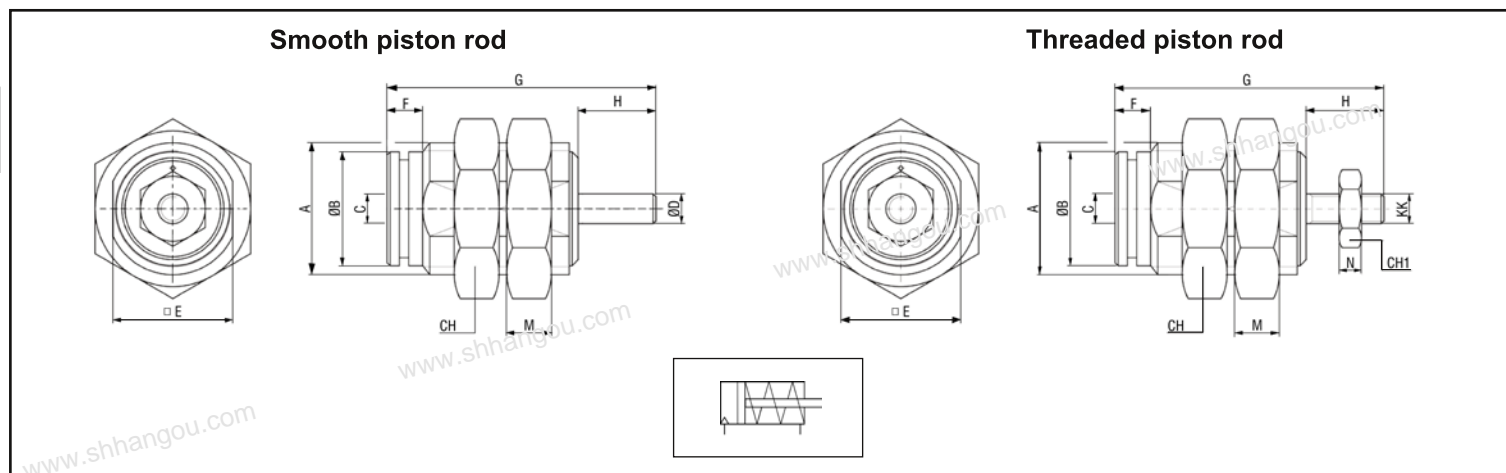
Cylinder Ø 1, single acting front spring, 10 mm stroke, threaded piston rod:

16/10 CF

The company reserves the right to change without notice, in every moment, the technical and dimensional specifications given in this document.

C BASIC CYLINDER

1



P.S.: Nuts supplied as standard

DIMENSION AND WEIGHTS BASIC CYLINDER

Ø	A	ØB	C	ØD	E	F	G			H	M	CH	N	CH1	KK	Weight (g)		
							5mm	10mm	15mm							5mm	10mm	15mm
6	M10X1	8.5	M5	3	9	5	27.5	34.5	41.5	8	3	14	2.4	5.5	M3	13	16	19
10	M15X1.5	12	M5	4	14	7	33.5	40	47	10.5	4	19	3.2	7	M4	30	34.5	41
16	M22X1.5	19	M5	5	20	6	40	45	50	13	5	27	4	8	M5	77	84	91.5

The company reserves the right to change without notice, in every moment, the technical and dimensional specifications given in this document.