

# series UZ

## Air treatment: lubricator UZL G 1/8 - G 1/4

### DESCRIPTION

Lubricators series "UZL" are produced with connections G 1/8 and G 1/4; the techno-polymer bowls can carry a metallic protection or being entirely metallic (without visualization of level). For a correct lubrication it is advisable to set the drip rate in order to have a drop of oil (WAIRSOL class ISO22) every 300 - 500 NI/min.

### TECHNICAL DATA

Maximum pressure	16 bar
Working temperature	0 ÷ +50 °C (-10 °C with dry air)
Fluid	Filtered compressed air
Port size	G 1/8 - G 1/4
Bowl capacity	20 cm <sup>3</sup> (do not exceed the level gauge)
Type of mounting	Modular, in-line and wall-mounting
Wall clamping screws	M4x50
Minimum striking flow rate	20 NI/min

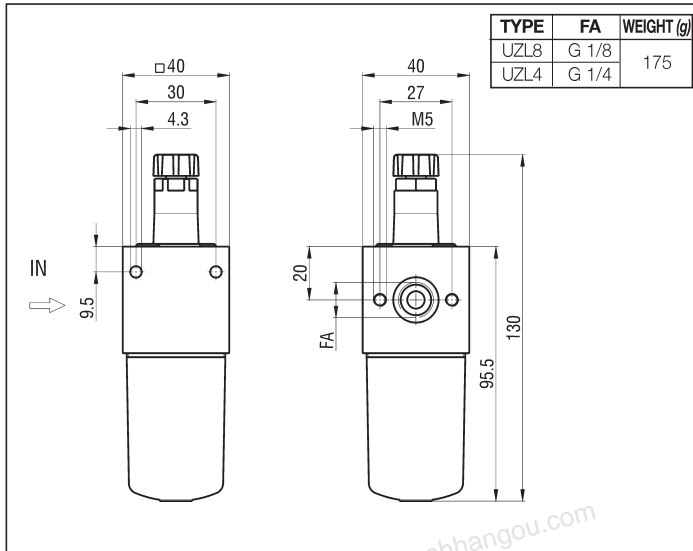


### MATERIALS

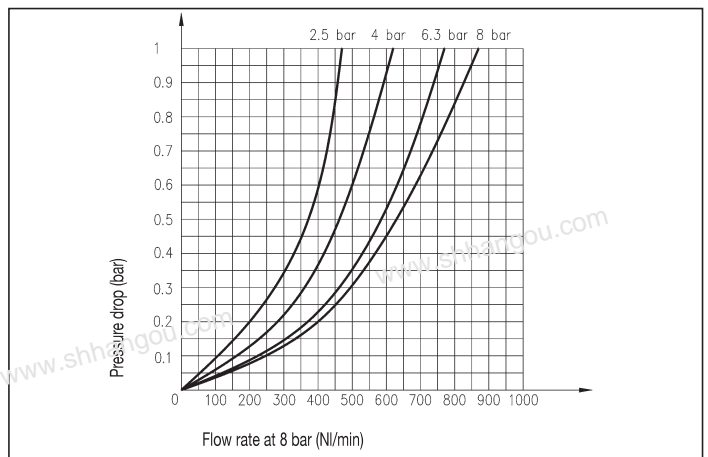
Body	Aluminium alloy
Bowl	Transparent techno-polymer with metallic protection or entirely metallic bowl (without visualization of level) on request
Seals	NBR rubber
Conduits	Acetal resin

4

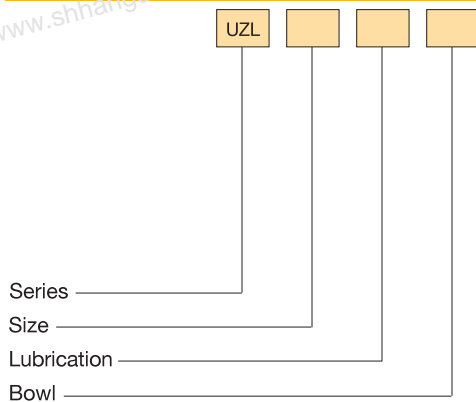
### DIMENSIONS AND WEIGHT UZL



### FLOW CHART - UZL



### ORDER KEY



SIZE	
<b>8</b> G 1/8	<b>4</b> G 1/4
LUBRICATION	
Oil mist	<b>M</b> Micro-oil mist
BOWL	
Transparent	<b>PM</b> Metallic protection
<b>TM</b> Metallic	

### SPARE PARTS

Metallic protection	UZ/PM
Metallic bowl	UZL/TM
Techno-polymer bowl	UZL/SG/3
Clear flow indicator	UZL/SG/4