

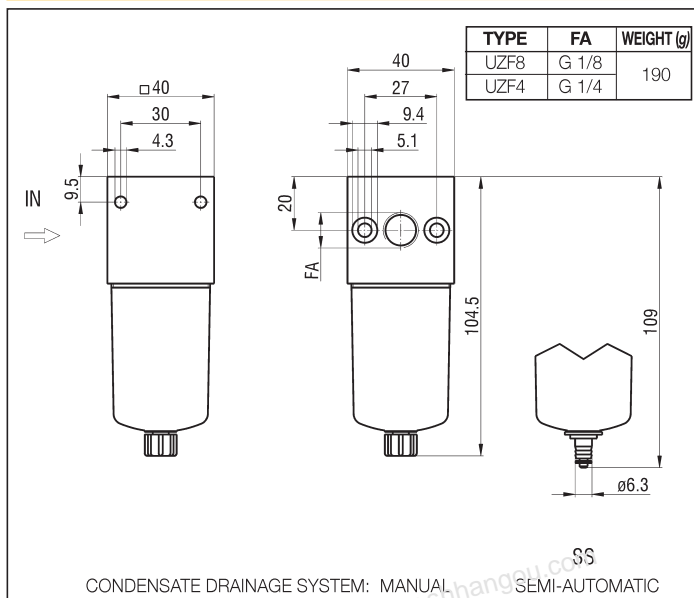
## DESCRIPTION

Filters series "UZF" are produced with connections G 1/8 and G 1/4; they are available with various degrees of filtration and with manual or semi-automatic condensate drainage system. The techno-polymer bowls can carry a metallic protection or being entirely metallic (without visualization of level).

## TECHNICAL DATA

Maximum pressure	16 bar
Working temperature	0 ÷ +50 °C (-10 °C with dry air)
Fluid	Compressed air
Port size	G 1/8 - G 1/4
Void fraction	20 µm standard, 5 µm and 40 µm on request
Condensate drainage system	Manual or semi-automatic
Max. condensate capacity	9 cm <sup>3</sup> (do not exceed the level gauge)
Type of mounting	Modular, in-line and wall-mounting
Wall clamping screws	M4x50

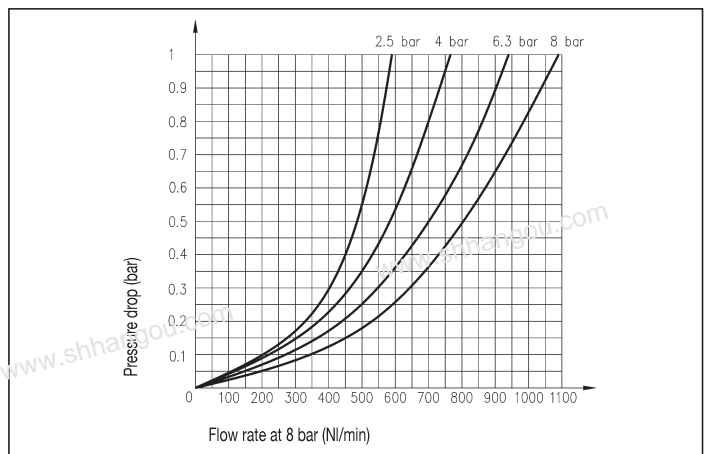
## DIMENSIONS AND WEIGHT UZF



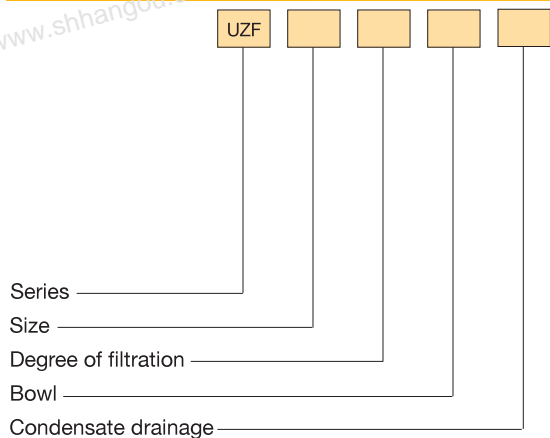
## MATERIALS

Body	Aluminium alloy
Bowl	Transparent techno-polymer with metallic protection or entirely metallic bowl (without visualization of level) on request.
Filtering element	Sintered polyethylene
Seals	NBR rubber
Baffle	Acetal resin

## FLOW CHART - UZF



## ORDER KEY



## SIZE

8	G 1/8	4	G 1/4
---	-------	---	-------

## DEGREE OF FILTRATION

/5	5 µm	/20	20 µm
/40	40 µm		

## BOWL

Transparent	PM	Metallic protection
TM		Metallic

## CONDENSATE DRAINAGE SYSTEM

Manual	/SS	Semi-automatic
--------	-----	----------------

## SPARE PARTS

Metallic protection	UZ/PM
Metallic bowl with manual drain	UZ/TM/R
Metallic bowl with semi-automatic drain	UZ/TM/R/SS
Techno-polymer bowl with manual drain	UZF/SG/3
Techno-polymer bowl with semi-automatic drain	UZF/SG/3/SS
Filter cartridge 5 µm	UZF/SG/1
Filter cartridge 20 µm	UZF/SG/2
Filter cartridge 40 µm	UZF/SG/4