

series UDS CETOP

Valves to ex CETOP RP 32 P standard pilot and solenoid actuated sizes 05 - 12 - 35

DESCRIPTION

Valves series "UDS CETOP" are produced in the 5/2 and 5/3 pneumatic functions according to the interface to ex CETOP RP 32 P standard and they are mounted onto single bases, bottom or side ported, or onto manifold bases, bottom ported.

All the solenoid actuated versions support the 32 mm direct acting solenoid valve type ULCSV/R (with fixed position) or the amplifier valve type XVF4 for a sensible pneumatic piloting (see page 3.36).



TECHNICAL DATA

Operating pressure	Monostable: 2,5 ÷ 10 bar Bistable: 2 ÷ 10 bar
Working temperature	0 ÷ +70 °C (-20 °C with dry air)
Fluid	Filtered, unlubricated or continuous lubricated compressed air
Port size	Interface to ex CETOP RP 32 P standard
Pneumatic piloting port size	Interface to ex CETOP RP 32 P standard
Piloting solenoid valve	ULCSV/R - see chapter Direct acting solenoid valves on page 2.6
Pneumatic piloting valve	XVF4 - see chapter Complementary valves on page 3.37
Electric connector	ULR1B - see chapter Connectors on page 2.15

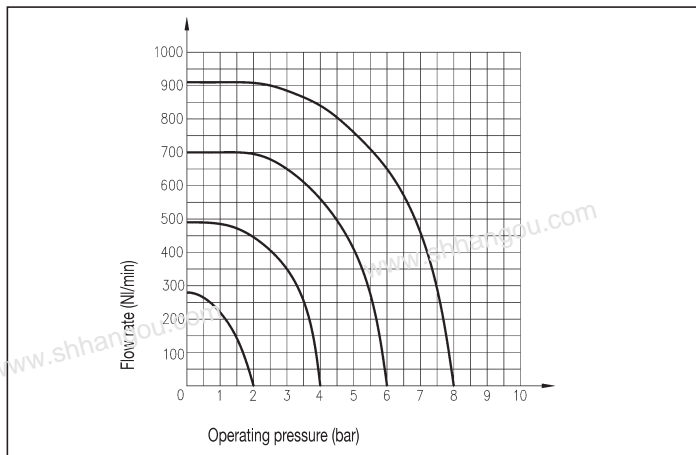
MATERIALS

Bottoms	Anodized aluminium alloy
Body	Anodized aluminium alloy
Distance rings	Acetal resin
Springs	Galvanized steel
Seals	NBR rubber + steel insert
Spool	Anodized aluminium alloy
Piston	Anodized aluminium alloy

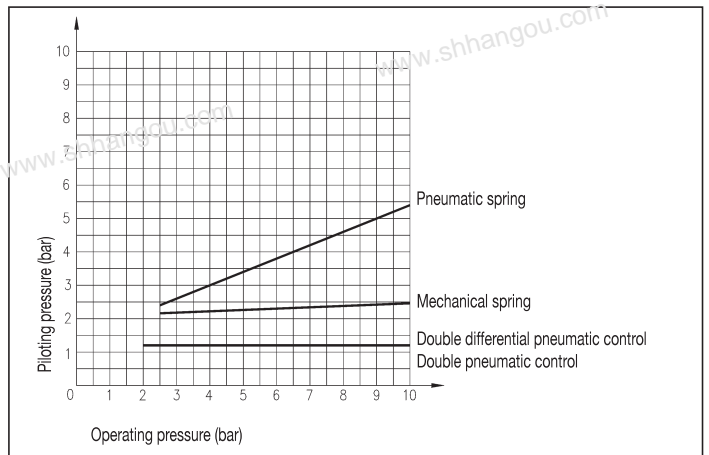
SPARE PARTS

SEALS KIT	
Size 05	UDS/SG/05
Size 12	UDS/SG/12
Size 35	UDS/SG/35

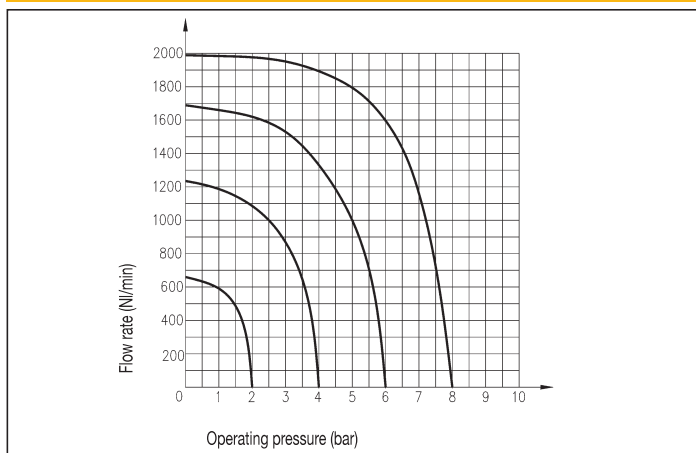
FLOW CHART SIZE 05



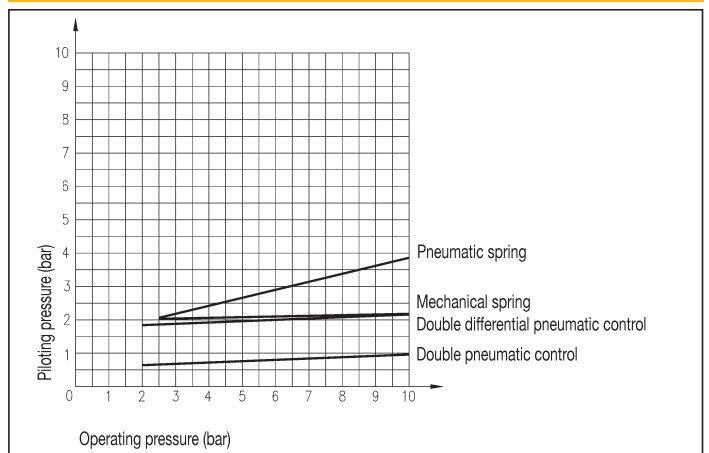
PILOTING CHART SIZE 05



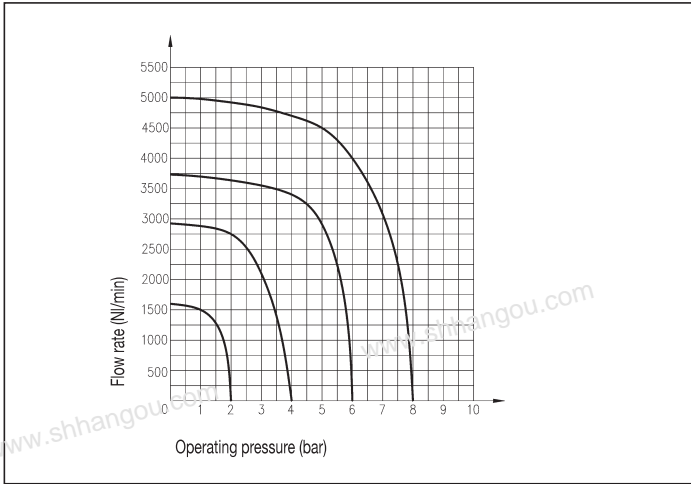
FLOW CHART SIZE 12



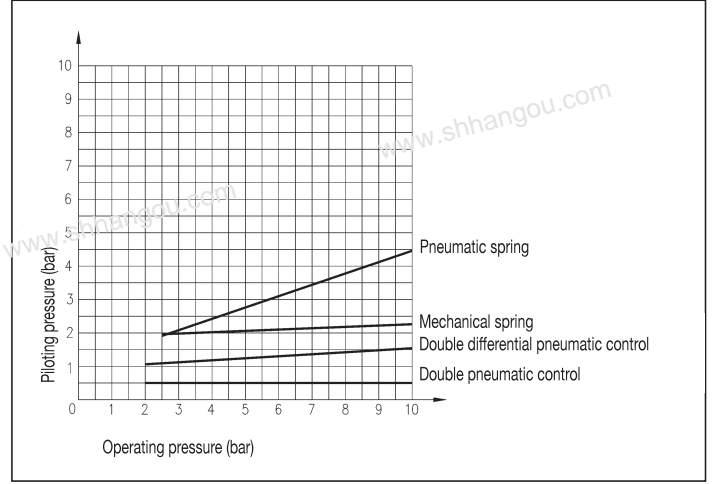
PILOTING CHART SIZE 12



FLOW CHART SIZE 35



PILOTING CHART SIZE 35

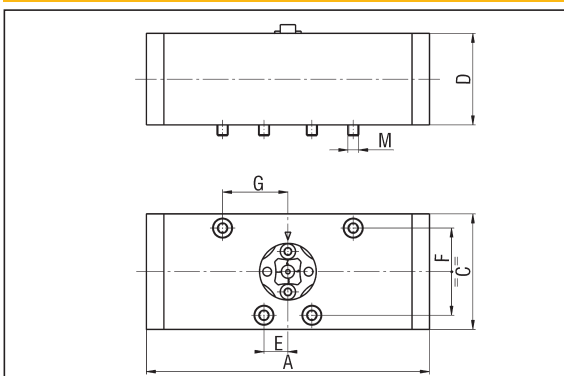


PILOT ACTUATED VALVES* SIZES 05 - 12 - 35

Symbol	Function	Controls		Response times at 6 bar (ms)		Flow rate at 6 bar $\Delta P = 1$ bar (Nl/min)	Weight (g)	Size	TYPE
		Pilot	Return	Energized	De-energized				
	5/2 monostable	Pneumatic	Mechanical spring	29	38	415	310	05	UDS 05 KR/ZR
				30	48	950	760	12	UDS 12 KR/ZR
				42	41	2800	1945	35	UDS 35 KR/ZR
		Mechanical spring	Pneumatic	29	38	415	310	05	UDS 05 ZR/KR
				30	48	950	760	12	UDS 12 ZR/KR
				42	41	2800	1945	35	UDS 35 ZR/KR
	5/2 monostable	Pneumatic	Pneumatic spring	42	34	415	325	05	UDS 05 KR/TQ
				44	59	950	770	12	UDS 12 KR/TQ
				69	71	2800	1900	35	UDS 35 KR/TQ
		Pneumatic spring	Pneumatic	42	34	415	325	05	UDS 05 TQ/KR
				44	59	950	770	12	UDS 12 TQ/KR
				69	71	2800	1900	35	UDS 35 TQ/KR
	5/2 bistable	Pneumatic	Pneumatic	27	27	415	305	05	UDS 05 KR/KR
				28	28	950	745	12	UDS 12 KR/KR
				36	36	2800	1910	35	UDS 35 KR/KR
		Pneumatic	Pneumatic differential	27	27	415	310	05	UDS 05 KR/TR
				28	28	950	770	12	UDS 12 KR/TR
				36	36	2800	1900	35	UDS 35 KR/TR
Pneumatic differential	Pneumatic	27	27	415	310	05	UDS 05 TR/KR		
		28	28	950	770	12	UDS 12 TR/KR		
		36	36	2800	1900	35	UDS 35 TR/KR		
	5/3 closed centre	Pneumatic	Mechanical spring	30	34	315	325	05	UDS 05 SR/SR
				42	33	815	790	12	UDS 12 SR/SR
				27	31	2650	1980	35	UDS 35 SR/SR

* FOR THE LOW PRESSURE PILOT ACTUATED VALVES OBTAINABLE WITH "XVF4" SEE THE TABLE SOLENOID ACTUATED VALVES ON PAGE 2.88

5 PORT



SIZE	A	C	D	E	F	G	M
05	104	38	30	9	26	24	M4
12	130	53	42	11	40	30	M5
35	208	68	52	20	48	54	M8

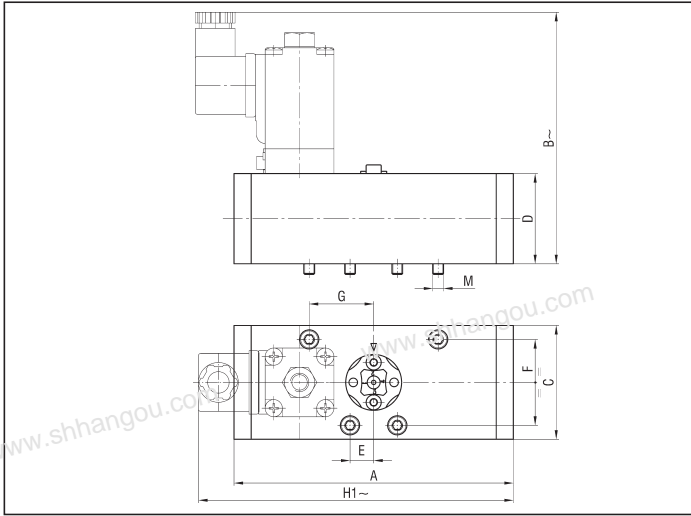
series UDS CETOP

SOLENOID ACTUATED VALVES SIZES 05 - 12 - 35

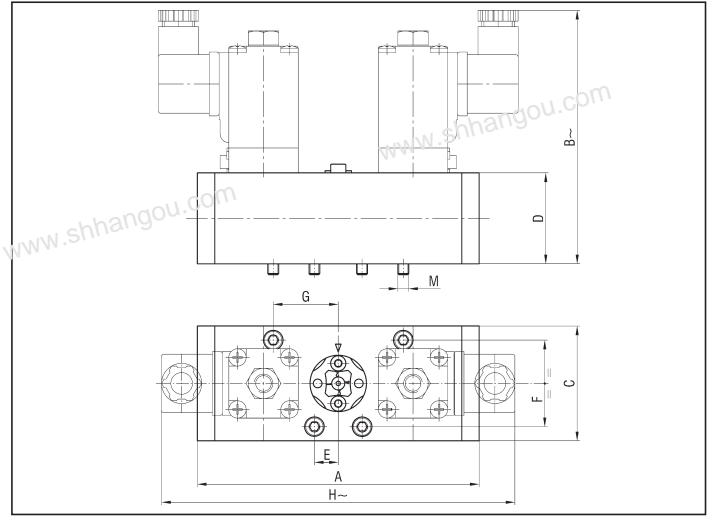
Symbol	Function	Controls		Response times at 6 bar (ms)		Flow rate at 6 bar ΔP = 1 bar (Nl/min)	Weight (g)	Size	TYPE*
		Actuation	Return	Energized	De-energized				
	5/2 monostable	Solenoid	Mechanical spring	29	38	415	310	05	UDS 05 KUC/ZR
				30	48	950	765	12	UDS 12 KUC/ZR
				47	39	2800	1970	35	UDS 35 KUC/ZR
	5/2 monostable	Mechanical spring	Solenoid	29	38	415	310	05	UDS 05 ZR/KUC
				30	48	950	765	12	UDS 12 ZR/KUC
				47	39	2800	1970	35	UDS 35 ZR/KUC
	5/2 monostable	Solenoid pilot assisted	Mechanical spring	29	38	415	310	05	UDS 05 KUR/ZR
				30	48	950	765	12	UDS 12 KUR/ZR
				47	39	2800	1970	35	UDS 35 KUR/ZR
	5/2 monostable	Mechanical spring	Solenoid pilot assisted	29	38	415	310	05	UDS 05 ZR/KUR
				30	48	950	765	12	UDS 12 ZR/KUR
				47	39	2800	1970	35	UDS 35 ZR/KUR
	5/2 monostable	Solenoid	Pneumatic spring	42	34	415	325	05	UDS 05 KUC/TQ
				44	59	950	785	12	UDS 12 KUC/TQ
				76	49	2800	1940	35	UDS 35 KUC/TQ
	5/2 monostable	Pneumatic spring	Solenoid	42	34	415	325	05	UDS 05 TQ/KUC
				44	59	950	785	12	UDS 12 TQ/KUC
				76	49	2800	1940	35	UDS 35 TQ/KUC
	5/2 monostable	Solenoid	Pneumatic	27	27	415	305	05	UDS 05 KUC/KR
				28	28	950	745	12	UDS 12 KUC/KR
				36	36	2800	1910	35	UDS 35 KUC/KR
	5/2 monostable	Pneumatic	Solenoid	27	27	415	310	05	UDS 05 KR/KUC
				28	28	950	765	12	UDS 12 KR/KUC
				36	36	2800	1910	35	UDS 35 KR/KUC
	5/2 monostable	Solenoid pilot assisted	Pneumatic	27	27	415	310	05	UDS 05 KUR/KR
				28	28	950	765	12	UDS 12 KUR/KR
				36	36	2800	1910	35	UDS 35 KUR/KR
	5/2 monostable	Pneumatic	Solenoid pilot assisted	27	27	415	310	05	UDS 05 KR/KUR
				28	28	950	765	12	UDS 12 KR/KUR
				36	36	2800	1910	35	UDS 35 KR/KUR
	5/2 bistable	Solenoid	Solenoid	27	27	415	305	05	UDS 05 KUC/KUC
				28	28	950	745	12	UDS 12 KUC/KUC
				36	36	2800	1910	35	UDS 35 KUC/KUC
	5/2 bistable	Solenoid pilot assisted	Solenoid pilot assisted	27	27	415	305	05	UDS 05 KUR/KUR
				28	28	950	745	12	UDS 12 KUR/KUR
				36	36	2800	1910	35	UDS 35 KUR/KUR
	5/2 bistable	Solenoid	Small pneumatic	27	27	415	315	05	UDS 05 KUC/TR
				28	28	950	775	12	UDS 12 KUC/TR
				36	36	2800	1900	35	UDS 35 KUC/TR
	5/2 bistable	Small pneumatic	Solenoid	27	27	415	315	05	UDS 05 TR/KUC
				28	28	950	775	12	UDS 12 TR/KUC
				36	36	2800	1900	35	UDS 35 TR/KUC
	5/2 bistable	Solenoid pilot assisted	Small pneumatic	27	27	415	315	05	UDS 05 KUR/TR
				28	28	950	775	12	UDS 12 KUR/TR
				36	36	2800	1900	35	UDS 35 KUR/TR
	5/2 bistable	Small pneumatic	Solenoid pilot assisted	27	27	415	315	05	UDS 05 TR/KUR
				28	28	950	775	12	UDS 12 TR/KUR
				36	36	2800	1900	35	UDS 35 TR/KUR
	5/3 closed centre	Solenoid	Mechanical spring	30	34	315	325	05	UDS 05 SUC/SUC
				42	33	815	795	12	UDS 12 SUC/SUC
				34	38	2650	1980	35	UDS 35 SUC/SUC
	5/3 closed centre	Solenoid pilot assisted	Mechanical spring	30	34	315	325	05	UDS 05 SUR/SUR
				42	33	815	795	12	UDS 12 SUR/SUR
				34	38	2650	1980	35	UDS 35 SUR/SUR

* THE TYPES OF THE SOLENOID VALVES DO NOT INCLUDE THE PILOTING SOLENOID VALVES (SEE ON PAGE 2.6 FOR "ULCSV/R") WHEREAS USING AS PILOT THE VALVE "XVF4" THE RESULT IS A LOW PRESSURE PILOT ACTUATED VALVE (FOR "XVF4" - SEE ON PAGE 3.37)

5 PORT MONOSTABLE

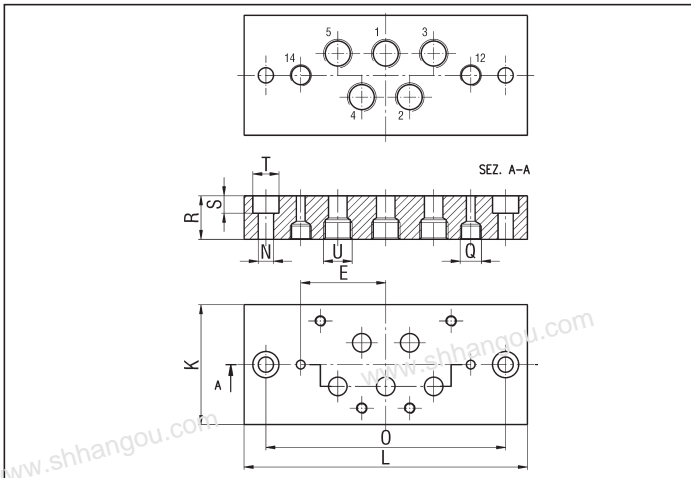


5 PORT AND 3 POSITIONS BISTABLE

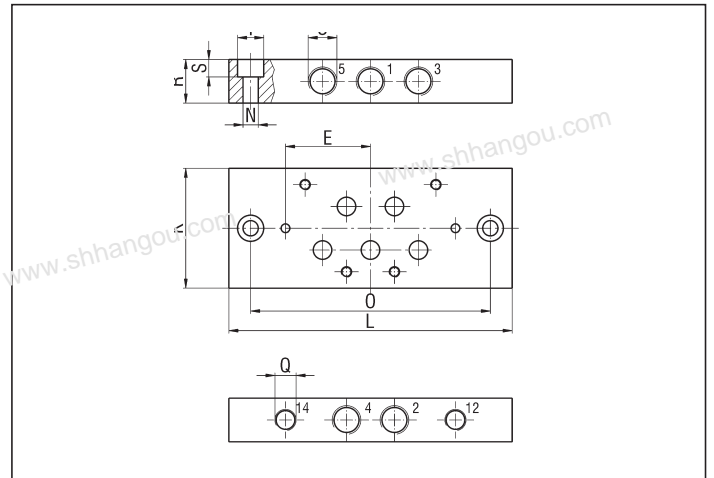


SIZE	A	B	C	D	E	F	G	H	H1	M
05	104	105	38	30	9	26	24	135	120	M4
12	130	117	53	42	11	40	30	158	144	M5
35	208	127	68	52	20	58	54	233	221	M8

SINGLE BASE, BOTTOM PORTED - UDP..B

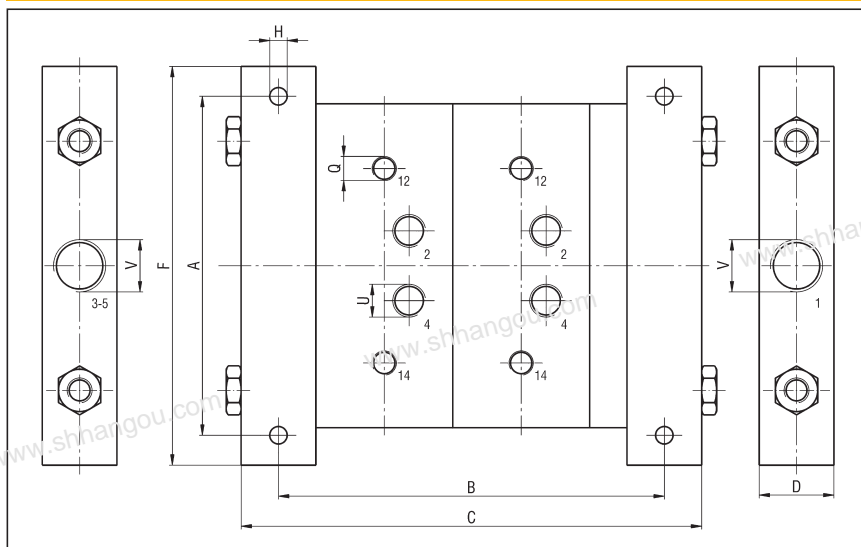


SINGLE BASE, SIDE PORTED - UDP..S



SIZE	Weight (g)	TYPE	Weight (g)	SIZE	E	K	L	N	O	Q	R	S	T	U
UDP8B	170	UDP8S	160	05	30	40	105	6	90	G 1/8	16	6,5	10	G 1/8
UDP4B	365	UDP4S	340	12	39	55	130	7	110	G 1/8	20	8	12	G 1/4
UDP2B	1170	UDP2S	1125	35	65	70	208	9	180	G 1/8	32	11	15	G 1/2

MANIFOLD BASES, BOTTOM PORTED - UDP...M/



SIZE	A	D	F	H	Q	U	V
05	110	30	130	6	G 1/8	G 1/8	G 1/4
12	136	40	160	7	G 1/8	G 1/4	G 1/2
35	210	50	240	9	G 1/8	G 1/2	G 3/4

No. of stations	2	3	4	5	6	7	8	9	10
B	115	155	195	235	275	315	355	395	435
C	150	190	230	270	310	350	390	430	470
Weight (g)	1165	1480	1795	2110	2425	2740	3055	3370	3685
TYPE Size 05	UDP8M/2	UDP8M/3	UDP8M/4	UDP8M/5	UDP8M/6	UDP8M/7	UDP8M/8	UDP8M/9	UDP8M/10
B	155	210	265	320	375	430	485	540	595
C	197	252	307	362	417	472	527	582	637
Weight (g)	2340	3040	3740	4440	5140	5840	6540	7240	7940
TYPE Size 12	UDP4M/2	UDP4M/3	UDP4M/4	UDP4M/5	UDP4M/6	UDP4M/7	UDP4M/8	UDP4M/9	UDP4M/10
B	170	240	310	380	-	-	-	-	-
C	236	306	376	446	-	-	-	-	-
Weight (g)	5680	7240	9000	10760	-	-	-	-	-
TYPE Size 35	UDP2M/2	UDP2M/3	UDP2M/4	UDP2M/5	-	-	-	-	-