

DIGITAL/ANALOG PRESSURE SWITCH SERIES PRDA

This series of switches has been expressly designed for the pressure detection of a wide range of fluids with elevate accuracy and resolution. This series has both digital and/or analog outputs and an integrated display with a frontal interface including three buttons to programme different functions (all described in the documentation that goes with the item) among which:

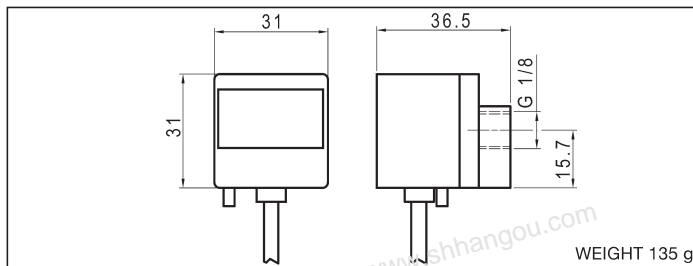
- setting the unit of measurement of the pressure;
- managing the outputs No.1 and No.2, depending on the set pressures.

This pressure switch, thanks to the very compact dimensions and to the 3 1/2 digit led display, is a very versatile item and suitable for the majority of the applications with not corrosive and incombustible gases, and with air. It is supplied completed with front protection cover and panel mounting system type SFPR.

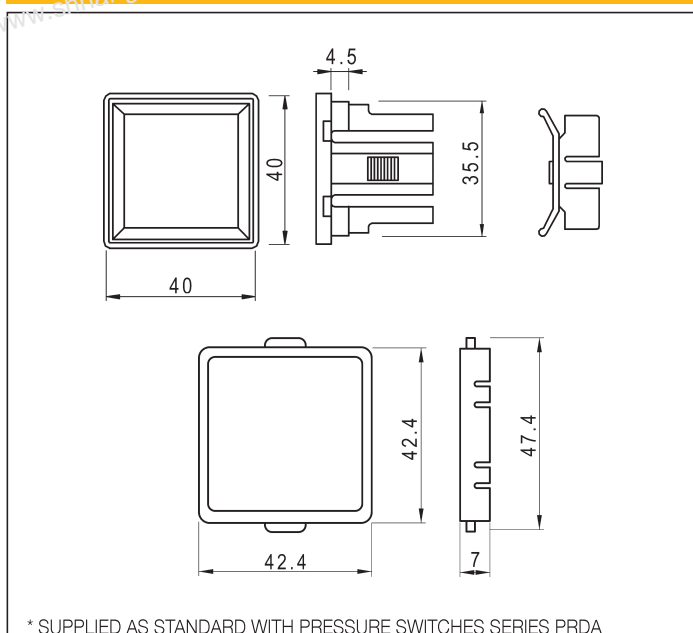
TECHNICAL DATA

Working temperature	0 ÷ +50 °C
Operating/setting pressure	-1 ÷ 10 bar (0 ÷ 10 bar recommended)
Power supply voltage	12 ÷ 24 V DC, ripple (P-P) 10% or less
Fluid	air; not corrosive and incombustible gases
Max. load current	80 mA
Average current consumption	55 mA
Protection class	IP 50
Response time	< 2.5 ms
Display accuracy	< ± 2% F.S. ± 1 digit with ambient temperature of 25 ± 3 °C
Analog output	1 ÷ 5 V ± ± 2.5%
Linearity analog output	± 1% F.S.
Display resolution	3 1/2 digit 7 segments LED (sampling frequency: 5 Hz)
Switch output	PNP; (NPN on request)
Unit of measurement	kPa, MPa, Bar, Psi
Hysteresis	Manually adjustable between the 1 to 10% of the rated pressure, or automatically arranged approximately to the 3% F.S.

DIMENSIONS AND WEIGHT PRDA



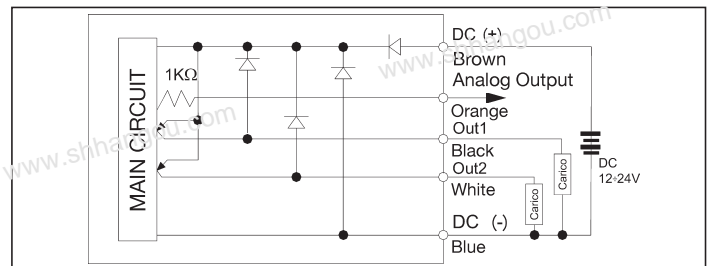
PROTECTION COVER AND PANEL MOUNTING SYSTEM SFPR



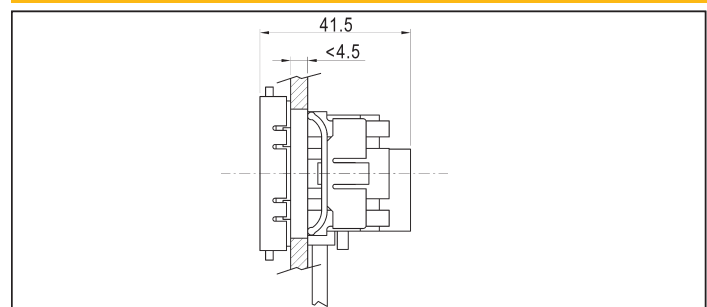
MATERIALS

Parts in contact with measured fluid	Carbon steel
Lead wire	5-conductors oil-proof cable
Electric connections	Brown: DC + Blue: DC - Black: OUT 1 White: OUT 2 Orange: Analog output

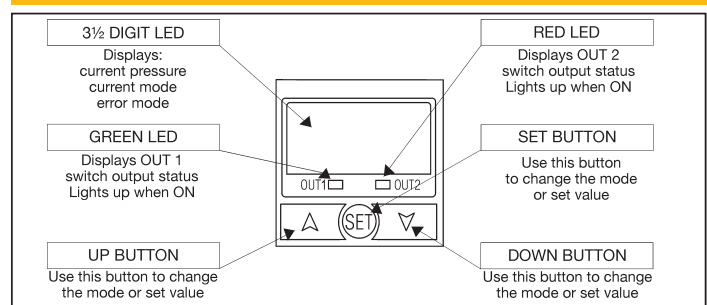
INTERNAL CIRCUIT AND WIRING PNP



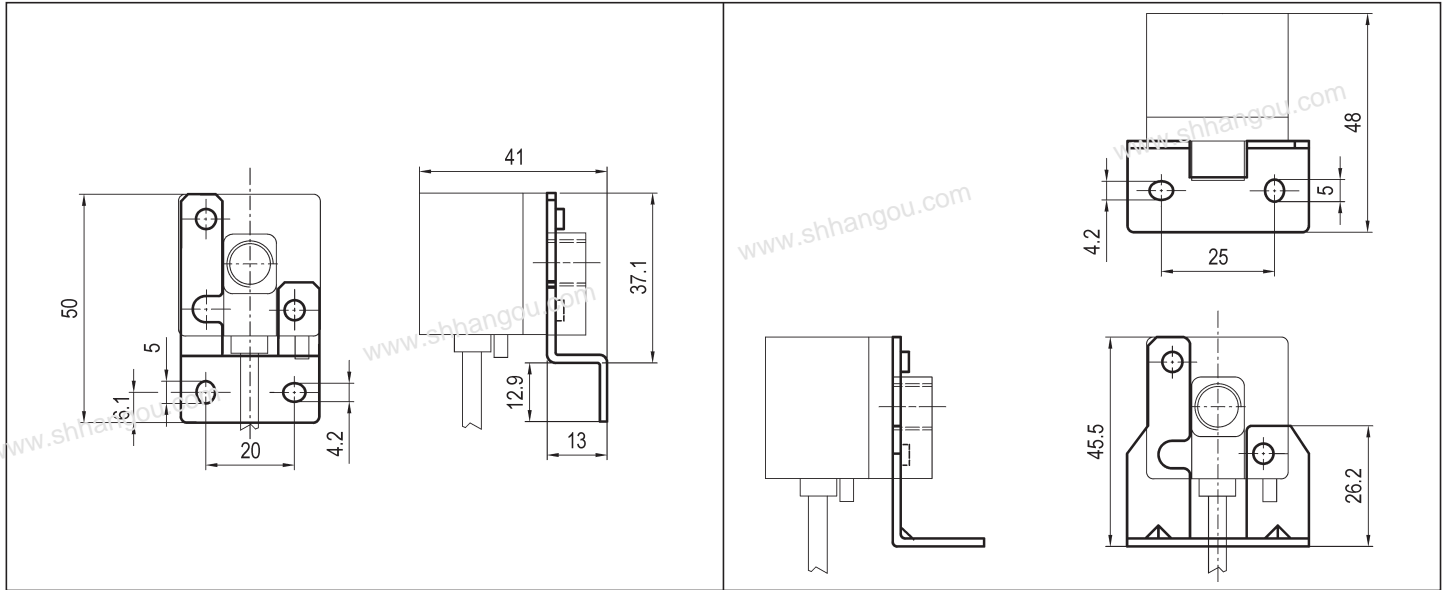
TOTAL DIMENSIONS WITH SFPR



FRONTAL INTERFACE PRDA



FIXING BRACKETS STPR (pair)



DIAPHRAGM PRESSURE SWITCH SERIES PRC-PRA

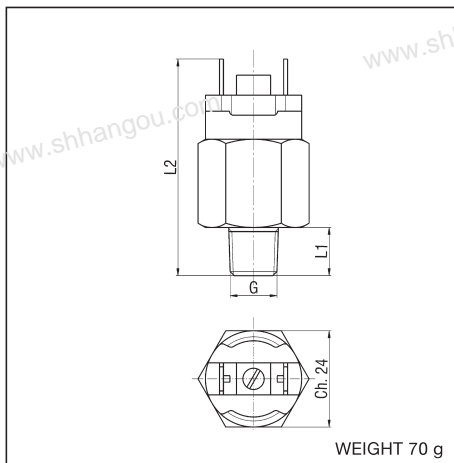
TECHNICAL DATA

Max. switched voltage	48 V AC - DC
Max. switched current	0,5 A
Max. fluid temperature	80 ÷ 120 °C
Adjusting range	1 ÷ 10 bar
Static overpressure	80 bar
Tolerance at 20°C	0,5
Max. number of insertions	200 per minute

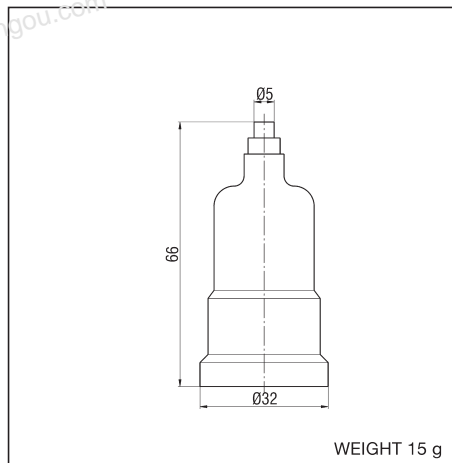
MATERIALS

Body	Brass
Diaphragm	FPM (Viton®)
Fixed contact	Silver
Moving contact	Phosphorous bronze with silver contact

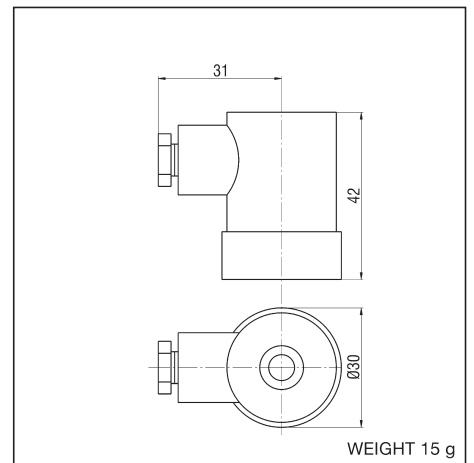
PRC - PRA



CONNECTOR (protection class IP54) - CN/PR54



CONNECTOR (protection class IP65) - CN/PR65



Symbol N.C.	Size	L1	L2	TYPE
	G 1/8	10	51	PRC8
	G 1/4	12	53	PRC4

Symbol N.O.	Size	L1	L2	TYPE
	G 1/8	10	51	PRA8
	G 1/4	12	53	PRA4

CONTACTS EXCHANGE PRESSURE SWITCH SERIES PRCA

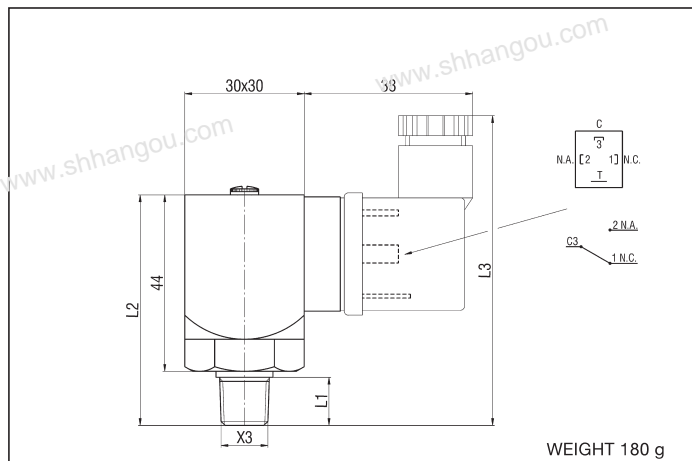
TECHNICAL DATA

Max. switched voltage	250 V AC - DC
Max. switched current	5 A
Max. fluid temperature	100 °C
Protection class	IP 65
Adjusting range	0,5 ÷ 10 bar
Static overpressure	150 bar
Tolerance at 20°C	0,2
Differential	15 - 30% of setting value
Max. number of insertion	200 per minute
Connector (included)	ULR4P

MATERIALS

Body	Passivated steel
Electric box	Anodized aluminium alloy
Diaphragm	FPM (Viton®)

PRCA



Symbol N.C. / N.O.	Size	L1	L2	L3	TYPE*
	G 1/8	10	56	74	PRCA8
	G 1/4	12	53	76	PRCA4

* These switches can rotate of 360°