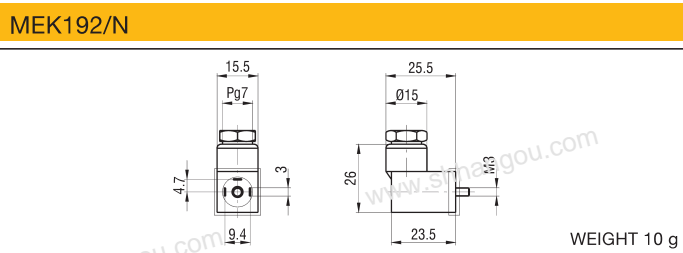


Connectors for solenoid valves side 15 mm series UM

series MEK192/N

TECHNICAL DATA	
Voltages	DC: MAX. 300 V AC: MAX. 250 V
Working temperature	-40 ÷ + 90 °C
Versions	Basic With indicator light (LED) With indicator light (LED) and varistat (VDR) as electrical protection
Number of pins	2 + earthed
Nominal current	6 A
Maximum current	10 A
Contacts resistance	≤ 4 mOhm
Protection class	IP 65 EN 60529
Connector insulation class	IEC 664 / VDE 0110-1/89



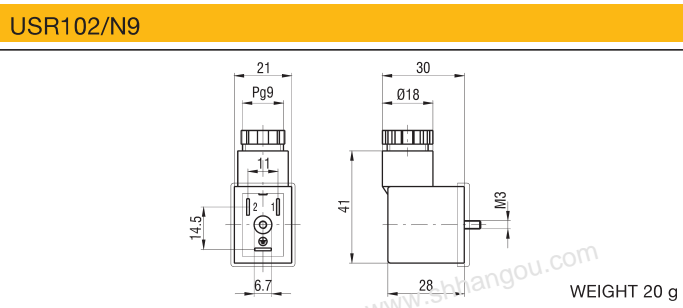
DESCRIPTION	TYPE
Basic connector	MEK192/N
Connector with led + VDR as protection 24 V DC/AC	MEK192/NVD 24V CC/CA
Connector with led + VDR as protection 110 V DC/AC	MEK192/NVD 110V CC/CA
Connector with led + VDR as protection 220 V DC/AC	MEK192/NVD 220V CC/CA
Connector with led 24 V DC/AC	MEK192/NLED 24V CC/CA
Connector with led 110/220 V DC/AC	MEK192/NLED 110/220V CC/CA

2

Connectors DIN 46244 for coils side 22 mm series USB and series WE (3A)

series USB102/N9

TECHNICAL DATA	
Voltages	DC: MAX. 300 V AC: MAX. 250 V
Working temperature	-40 ÷ +90 °C
Versions	Basic With indicator light (LED) With indicator light (LED) and varistat (VDR) as electrical protection
Number of pins	2 + earthed
Nominal current	10 A
Maximum current	16 A
Contacts resistance	≤ 4 mOhm
Protection class	IP 65 EN 60529
Connector insulation class	IEC 664 / VDE 0110-1/89

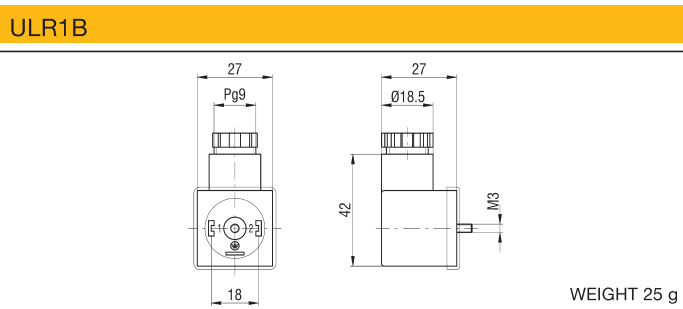


DESCRIPTION	TYPE
Basic connector	USB102/N9
Connector with led + VDR as protection 24 V DC/AC	USB102/N9VD 24 V CC/CA
Connector with led + VDR as protection 110 V DC/AC	USB102/N9VD 110 V CC/CA
Connector with led + VDR as protection 220 V DC/AC	USB102/N9VD 220 V CC/CA
Connector with led 24 V DC/AC	USB102/N9LED 24 V CC/CA
Connector with led 110/220 V DC/AC	USB102/N9LED 110/220 V CC/CA

Connectors DIN 43650 - form "A" for solenoid valves side 30 mm series UL and coils series USBG and series WE (2A, 5A)

series ULR1B

TECHNICAL DATA	
Voltages	DC: MAX. 300V AC: MAX. 250V
Working temperature	-40 ÷ + 90 °C
Versions	Basic With indicator light (LED) With indicator light (LED) and varistat (VDR) as electrical protection
Number of pins	2 + earthed
Nominal current	6 A
Maximum current	10 A
Contacts resistance	≤ 4 mOhm
Protection class	IP 65 EN 60529
Connector insulation class	IEC 664 / VDE 0110-1/89



DESCRIPTION	TYPE
Basic connector	ULR1B
Connector with led + VDR as protection 24 V DC/AC	ULR1B/VD 24 V CC/CA
Connector with led + VDR as protection 110 V DC/AC	ULR1B/VD 110 V CC/CA
Connector with led + VDR as protection 220 V DC/AC	ULR1B/VD 220 V CC/CA
Connector with led 24 V DC/AC	ULR1B/LED 24 V CC/CA
Connector with led 110/220 V DC/AC	ULR1B/LED 110/220 V CC/CA