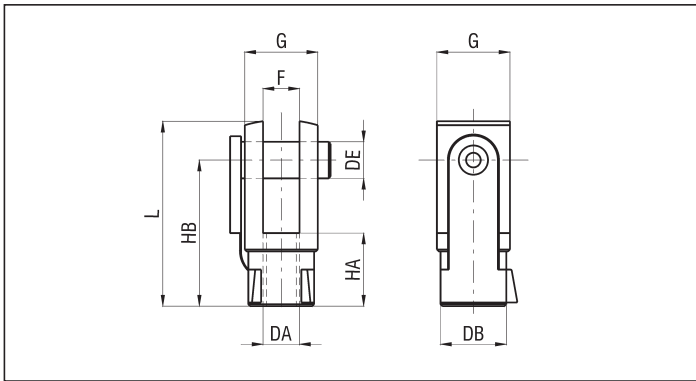


DESCRIPTION

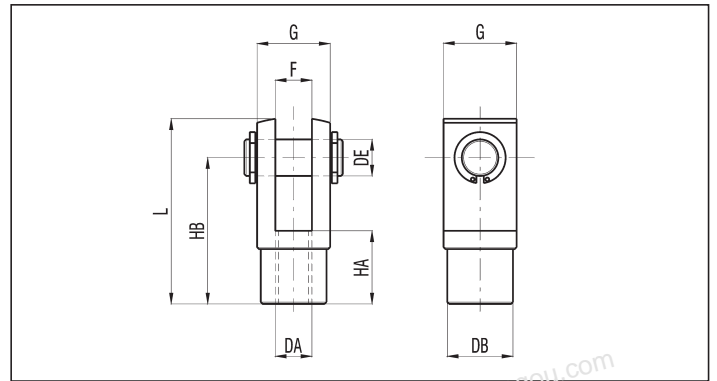
Piston rod attachments, produced according to standards that regulate cylinders manufacturing, allow the cylinder piston rod to couple with the corresponding system that has to be enlivened.



FEMALE PISTON ROD CLEVIS WITH CLIPS TO ISO 8140 STEEL - M4 ÷ M20 X 1,5



FEMALE PISTON ROD CLEVIS WITH PIN AND SNAP RING TO ISO 8140 - STEEL - M4 ÷ M36 X 2

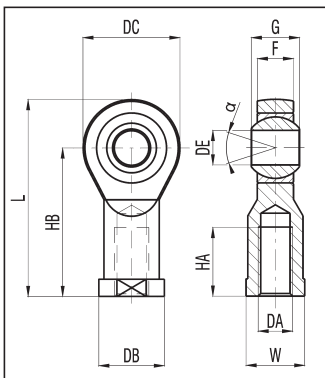


DIMENSIONS AND WEIGHTS

DA	DB	DE	F B12	G	HA	HB	L	WEIGHT (g)	CYLINDER SERIES and Ø					TYPE		
									U-UP	P-UP	BU7	CPU-X	CPUI	WITH CLIPS	WITH CLIPS	
M4	8	4	4	8	8	16	21	10	8-10						FF4	-
M6	10	6	6	12	12	24	31	18	12-16						FF6	FFP6*
M8	14	8	8	16	16	32	42	42	20						FF8	FFP8*
M10x1,25	18	10	10	20	20	40	52	30	25	32	20÷40	32	32		FF10x1,25	FFP10x1,25*
M12x1,25	20	12	12	24	24	48	62	130		40	50-63	40	40		FF10x1,25	FFP12x1,25*
M16x1,5	26	16	16	32	32	64	83	330		50-63	80	50-63	50-63		FF16x1,5	FFP16x1,5*
M20x1,5	34	20	20	40	40	80	105	650			100	80-100	80-100		FF20x1,5	FFP20x1,5*
M27x2	48	30	30	55	54	110	148	2100					125		-	FFP27x2
M36x2	60	35	35	70	72	144	188	3900					160-200		-	FFP36x2

* AISI 303 STAINLESS STEEL (SUPPLIED UPON REQUEST)

SELF-LUBRICATING PISTON ROD EYE TO DIN ISO 12240 STANDARD - STEEL

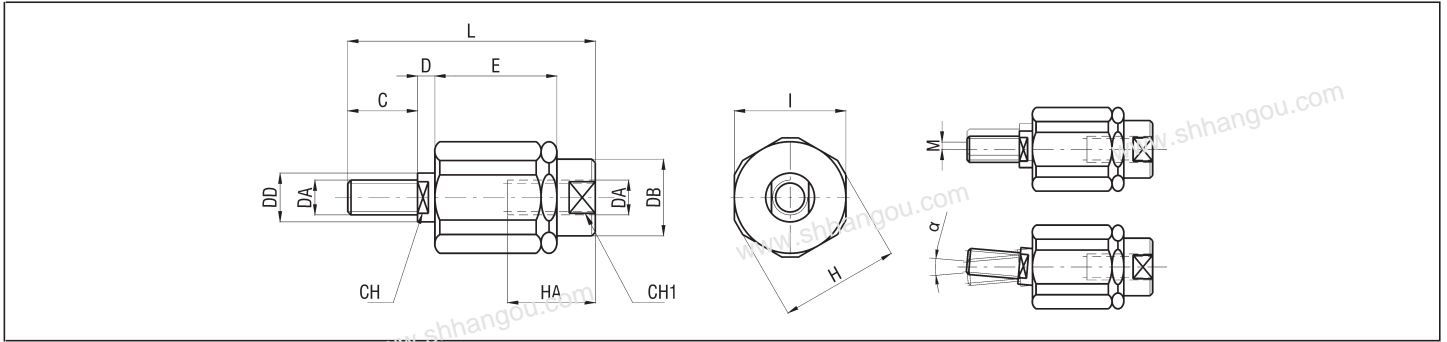


DIMENSIONS AND WEIGHTS

DA	DB	DC	DE H7	F	G	HA	HB	L	W	α	WEIGHT (g)	CYLINDER SERIES and Ø					TYPE	
												U-UP	P-UP	BU7	CPU-X	CPUI		
M4	11	18	5	6	8	10	27	36	9	13	18	8-10						FF4/SS*
M6	13	20	6	6,75	9	12	30	40	11	13	26	12-16						FF6/SS*
M8	16	24	8	9	12	16	36	48	14	14	46	20						FF8/SS*
M10x1,25	19	28	10	10,5	14	20	43	57	17	13	76	25	32	20÷40	32	32		FF10x1,25/SS*
M12x1,25	22	32	12	12	16	22	50	66	19	13	110		40	50-63	40	40		FF12x1,25/SS*
M16x1,5	27	42	16	15	21	28	64	85	22	15	220		50-63	80	50-63	50-63		FF16x1,25/SS*
M20x1,5	34	50	20	18	25	33	77	102	30	14	409			100	80-100	80-100		FF16x1,25/SS*
M27x2	50	70	30	25	37	51	110	145	41	17	1200					125		FF27x2/SS
M36x2	58	80	35	28	43	56	125	165	50	16	1600					160-200		FF36x2/SS

* AISI 303 STAINLESS STEEL (SUPPLIED UPON REQUEST)

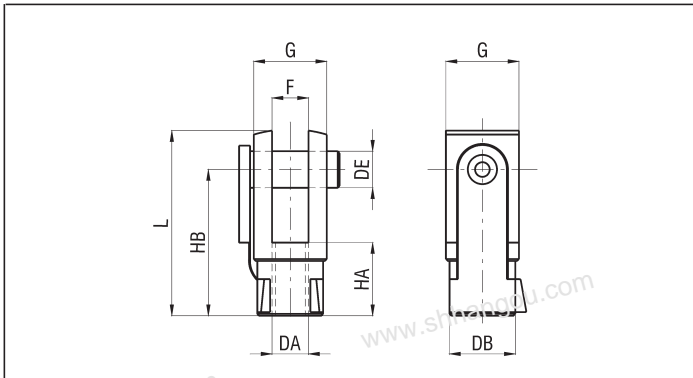
SELF-ALIGNING ROD COUPLER - GALVANIZED STEEL



DIMENSIONS AND WEIGHTS

DA	C	CH	CH1	D	DB	DD	E	H	HA	I	L	M	α	WEIGHT (g)	CYLINDER SERIES and Ø				TYPE	
															U-UP	P-UP	BU7	CPU-X		CPUI
M6	10	5	7	3,5	8,5	6	17,5	14,5	10	13	35	1	10	25	12-16					FF6/SA
M8	20	7	11	4	12,5	8	28,5	19	20	17	57	2	10	60	20					FF8/SA
M10x1,25	20	12	19	5	22	14	35	32	20	30	71	2	10	220	25	32	20÷40	32	32	FF10x1,25/SA
M12x1,25	24	12	19	5	22	14	35	32	20	30	75	2	10	230		40	50-63	40	40	FF12x1,25/SA
M16x1,5	32	20	30	8	32	22	54	45	32	41	103	2	10	660		50-63	80	50-63	50-63	FF16x1,5/SA
M20x1,5	40	20	30	8	32	22	54	45	40	41	119	2	10	700			100	80-100	80-100	FF20x1,5/SA
M27X2	54	24	54	10	57	32	60	70	40	65	147	2	8	1000				125		FF27x2/SA

FEMALE PISTON ROD CLEVIS WITH CLIPS TO DIN 71752 STANDARD - STEEL

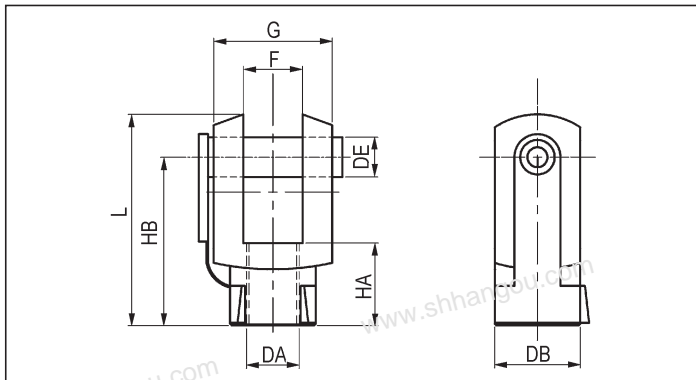


DIMENSIONS AND WEIGHTS

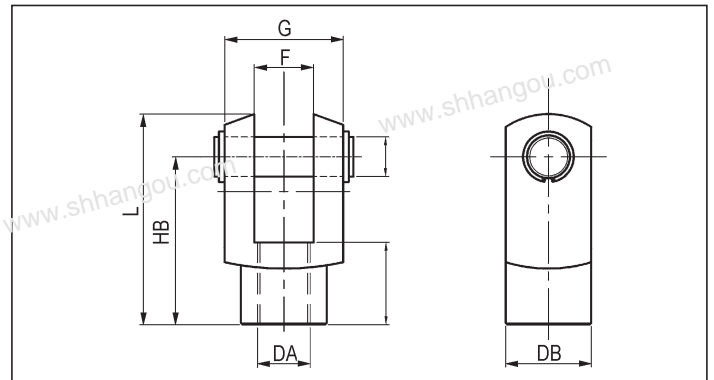
DA	DB	DE	F B12	G	HA	HB	L	WEIGHT (g)	CYLINDER SERIES HB	TYPE WITH CLIPS
									Ø	
M6	10	6	6	12	12	24	31	18	20	FF6
M8	14	8	8	16	16	32	42	42	27	FF8
M10	18	10	10	20	20	40	52	90	35-40	HB/FF10
M12	20	12	12	24	24	48	62	130	50	HB/FF12
M14	24	14	14	27	28	56	72	230	58	HB/FF14
M16	26	16	16	32	32	64	83	330	70	HB/FF16
M18	26	16	16	32	32	64	83	330	85	HB/FF18
M20	34	20	20	40	40	80	105	650	100	HB/FF20

1

FEMALE PISTON ROD CLEVIS WITH CLIPS
TO ex CNOMO 06 07 14 STANDARD - STEEL - M 10 ÷ M 27 x 2



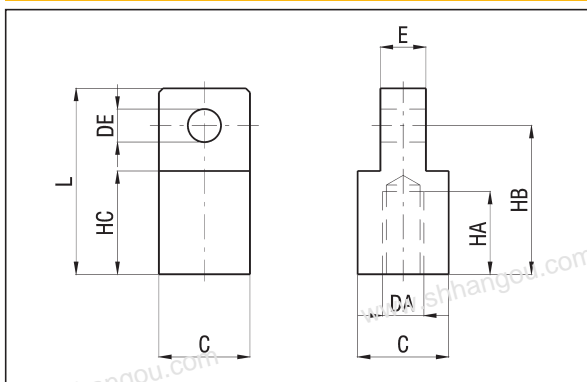
FEMALE PISTON ROD CLEVIS WITH PIN AND SNAP RING
TO ex CNOMO 06 07 14 STANDARD - STEEL - M 10 ÷ M 36 x 2



DIMENSIONS AND WEIGHTS

DA	DB	DE	F B12	G	HA	HB	L	WEIGHT (g)	CYLINDER SERIES CX	TYPE	TYPE
									Ø		
M10	18	8	11	22	20	36	45	80	32	CX/FF10	CX/FFP10
M16x1,5	26	12	18	36	26	51	64	210	40-50	CX/FF16x1,5	CX/FFP16x1,5
M20x1,5	34	16	22	45	30	63	80	440	63-80	CX/FF20x1,5	CX/FFP20x1,5
M27x2	42	20	30	63	45	85	105	910	100-125	CX/FF27x2	CX/FFP27x2
M36x2	50	25	40	80	75	115	140	1800	160-200	-	CX/FFP36x2

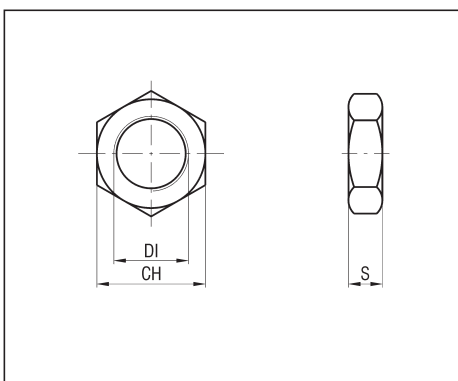
MALE PISTON ROD CLEVIS TO ex CNOMO 06 07 15 STANDARD - STEEL



DIMENSIONS AND WEIGHTS

C	DA	DE H8	E f8	HA	HB H13	HC	L	WEIGHT (g)	CYLINDER SERIES CX	TYPE
									Ø	
22	M10	8	11	20	36	25	45	30	32	CX/FM10
32	M16x1,5	12	18	30	51	34	64	100	40-50	CX/FM16x1,5
36	M20x1,5	16	22	36	63	41	80	140	63-80	CX/FM20x1,5
45	M27x2	20	30	50	85	58	105	320	100-125	CX/FM27x2
63	M36x2	25	40	70	115	81	140	870	160-200	CX/FM36x2

ROD NUT



DIMENSIONS AND WEIGHTS

DI	CH	S	WEIGHT (g)	CYLINDER SERIES and Ø							TYPE STEEL	TYPE STAINLESS STEEL	
				U-UP	P-UP	BU7	CX	CPU-X	CPU1	B+NIPPLE			
M4	7	3	0,8	8-10								DST4	DSTI4
M6	10	4	1,48	12-16							12-16	DST6	DSTI6
M8	13	5	4	20							20-25	DST8	DSTI8
M10x1,25	17	6	8,6	25	32	20÷40		32	32	32-40		DST10x1,25	DSTI10x1,25
M10	17	6	8,6				32					DST10	DSTI10
M12x1,25	19	7	12,1		40	50-63		40	40	50-63		DST12x1,25	DSTI12x1,25
M16x1,5	24	8	20,1		50-63	80	40-50	50-63	50-63	G50÷80		DST16x1,5	UPDT16
M20x1,5	30	9	36,3			100	63-80	80-100	80-100	100		DST20x1,5	DSTI20x1,5
M27x2	41	12	90				100-125			125		DST27x2	DSTI27x2
M36x2	55	15	190				160-200			160-200		DST36x2	DSTI36x2