

DESCRIPTION

Lubricators series "EZL" are produced with connections G 3/8, G 1/2 and G 1; the techno-polymer bowls have a metallic protection as standard for the sizes G 1/2 and G 1, and made of glass stiffened polyamide on request for the size G 3/8.

For a correct lubrication it is advisable to set the drip rate in order to have a drop (WAIRSOL class ISO22) every 300 - 500 NI/min. (oil mist lubrication).

TECHNICAL DATA

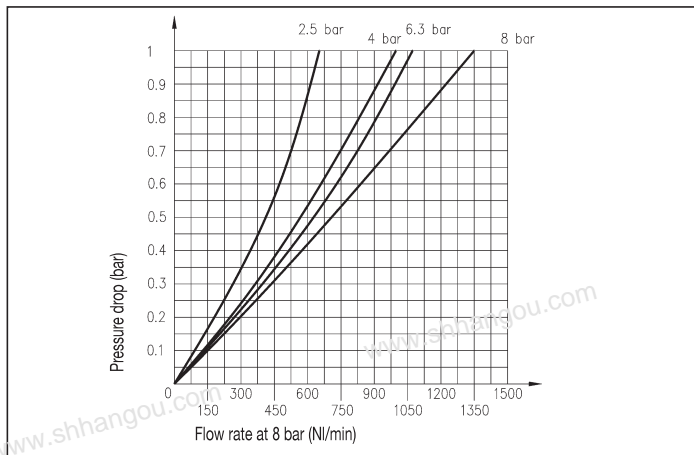
| | |
|----------------------------|--|
| Maximum pressure | 16 bar |
| Working temperature | 0 ÷ +50 °C (-10 °C with dry air) |
| Fluid | Filtered compressed air |
| Port size | G 3/8 - G 1/2 - G 1 |
| Bowl capacity | G 3/8 = 32 cm ³ G 1/2 = 76 cm ³ G 1 = 160 cm ³ (do not exceed the level gauge) |
| Type of mounting | Modular, in-line and wall-mounting |
| Wall clamping screws | G 3/8: M4x60 G 1/2: M5x70 G 1: M6x90 |
| Minimum striking flow rate | G 3/8 = 25 NI/min G 1/2 = 25 NI/min G 1 = 50 NI/min |



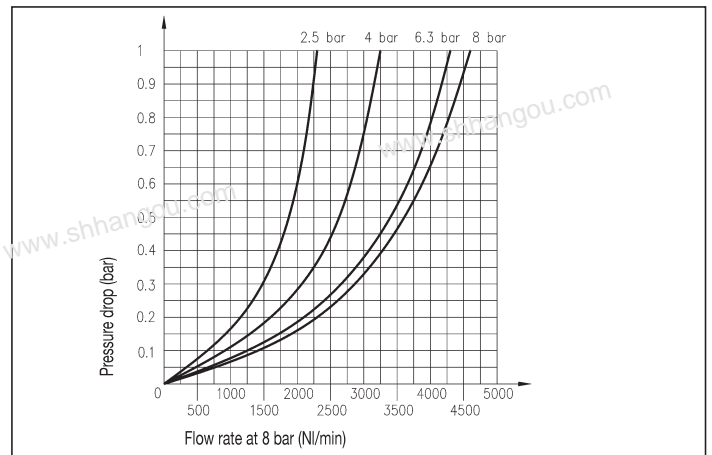
MATERIALS

| | |
|----------|---|
| Body | Aluminium alloy |
| Bowl | G 3/8: Transparent techno-polymer (protection made of glass stiffened polyamide on request) G 1/2 - G 1: Transparent techno-polymer with metallic protection as standard |
| Seals | NBR rubber |
| Conduits | Acetal resin |

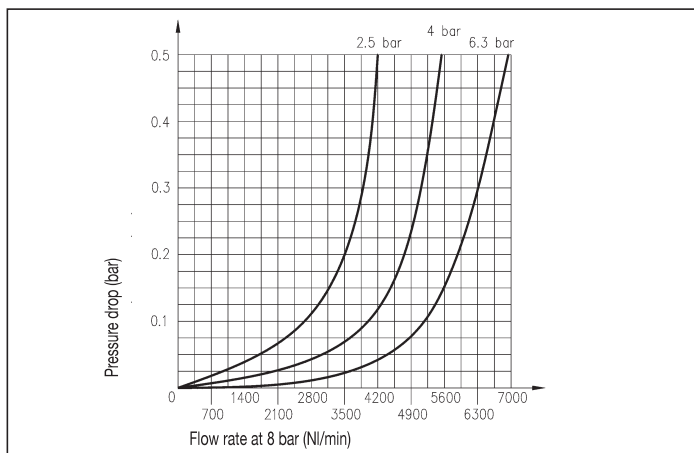
FLOW CHART - EZL G 3/8



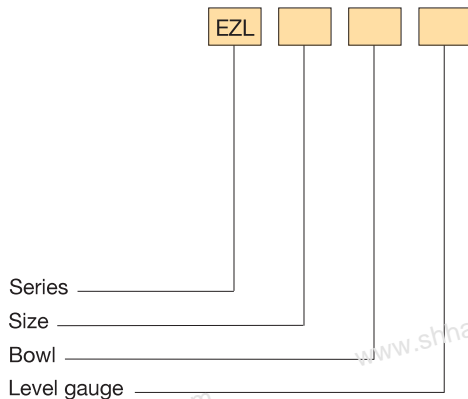
FLOW CHART - EZL G 1/2



FLOW CHART - EZL G 1



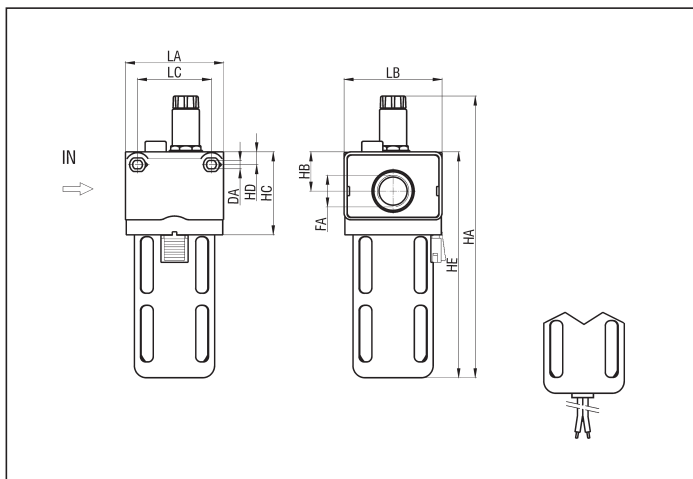
ORDER KEY



| SIZE | | | |
|-------------|---|----|-------------|
| 3 | G 3/8 | 2 | G 1/2 |
| 1 | G 1 | | |
| BOWL | | | |
| | Transparent | PM | Protection* |
| LEVEL GAUGE | | | |
| /CA | Open electric contact when oil is present with 2 wires cable 0,5 m length | | |
| /CC | Closed electric contact when oil is present with 2 wires cable 0,5 m length | | |

* Metallic as standard for sizes 2 and 1, made of glass stiffened polyamide on request for size 3
P.S.: Level gauge, in both the open and closed electric contact, is fed with a voltage range from 6 V to 50 V

DIMENSIONS AND WEIGHTS EZL



| SIZE | DA | FA | HA | HB | HC | HD | HE | LA | LB | LC | WEIGHT (g) |
|------|-----|-------|-------|----|----|-----|-------|----|----|----|------------|
| 3 | 4,5 | G 3/8 | 157,5 | 21 | 52 | 6 | 121 | 55 | 50 | 40 | 370 |
| 2 | 5,5 | G 1/2 | 186,7 | 26 | 55 | 8,5 | 149,7 | 65 | 65 | 49 | 400 |
| 1 | 6,6 | G 1 | 243,5 | 31 | 76 | 9 | 201 | 85 | 82 | 60 | 1780 |

SPARE PARTS

| | |
|---|---------------|
| Lubricator bowl size 3 | EZT/L3 |
| Lubricator bowl size 2* | EZT/L2/PM |
| Lubricator bowl size 1 | EZT/L1 |
| Lubricator bowl for level gauge size 3 | EZT/L3/SLC |
| Lubricator bowl for level gauge size 2* | EZT/L2/PM/SLC |
| Lubricator bowl for level gauge size 1 | EZT/L1/SLC |
| Protection made of glass stiffened nylon size 3 | EZ3/PM |
| Metallic protection size 1 | EZ1/PM |
| Lubricator clear cover size 3 | EZL3/C |
| Lubricator clear cover size 2 | EZL2/C |
| Lubricator clear cover size 1 | EZL1/C |
| Level gauge with open electric contact size 3 | EZT/L3/SLA |
| Level gauge with open electric contact size 2* | EZT/L2/PM/SLA |
| Level gauge with open electric contact size 1 | EZT/L1/SLA |

* Bowls size 2 are supplied with the metallic protection as standard