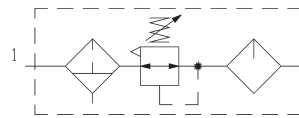
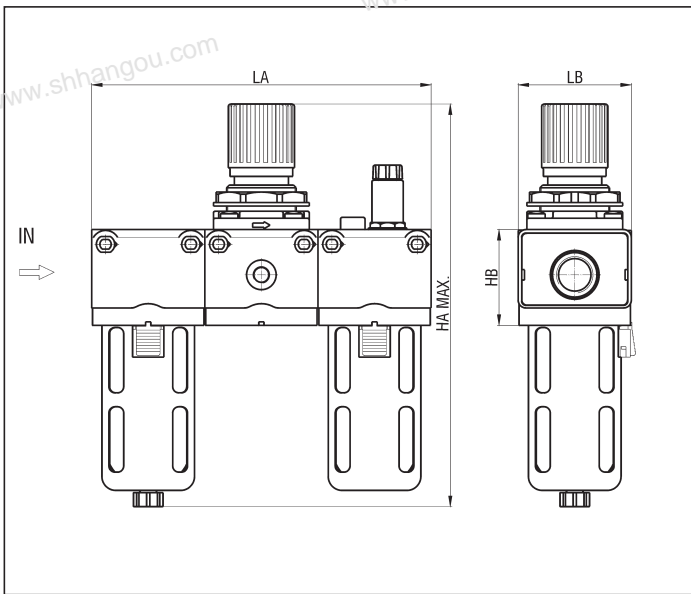


TECHNICAL DATA

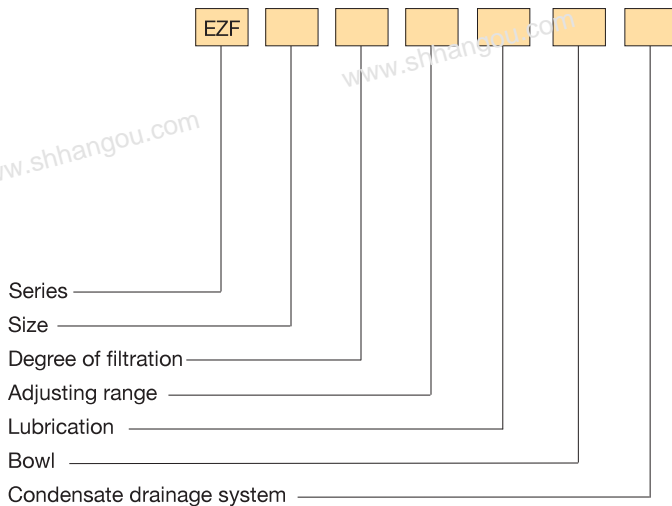
Maximum pressure	16 bar
Working temperature	0 ÷ +50 °C (-10 °C with dry air)
Fluid	Compressed air
Port size	G 3/8 - G 1/2 - G 1
Pressure gauge port size	G 1/8
Flow rate at 6 bar ΔP = 1 bar	G 3/8 = 680 NI/min G 1/2 = 1200 NI/min G 1 = 2300 NI/min
Wall clamping screws	G 3/8: M4x60 G 1/2: M5x70 G 1: M6x90

DIMENSIONS AND WEIGHTS F+R+L



SIZE	HA	HB	LA	LB	WEIGHT (g)
3	193	52	159	50	1260
2	231	55	195	65	1345
1	337	76	249	82	6080

ORDER KEY



SIZE	
3 G 3/8	2 G 1/2
1 G 1	
DEGREE OF FILTRATION	
/5 5 μm*	/20 20 μm
/40 40 μm	
ADJUSTING RANGE	
RR3 0,2 ÷ 2 bar	RR5 0,4 ÷ 4 bar
RR7 0,8 ÷ 8 bar	
LUBRICATION	
L Oil mist (standard)	LCA Oil mist, N.O. electric contact
LCC Oil mist, N.C. electric contact	
BOWL	
Transparent	/PM Protection**
CONDENSATE DRAINAGE SYSTEM	
/SM Manual	/SS Semi-automatic
/SA Automatic***	

* Available only for sizes 3 and 2
 ** Metallic as standard for sizes 2 and 1, made of glass stiffened polyamide on request for size 3
 *** Available only for sizes 2 and 1
 P.S.: Filters + reducers + lubricators can be supplied without the relieving seal on request; the adjusting range becomes "R" (rather than "RR")