

DESCRIPTION

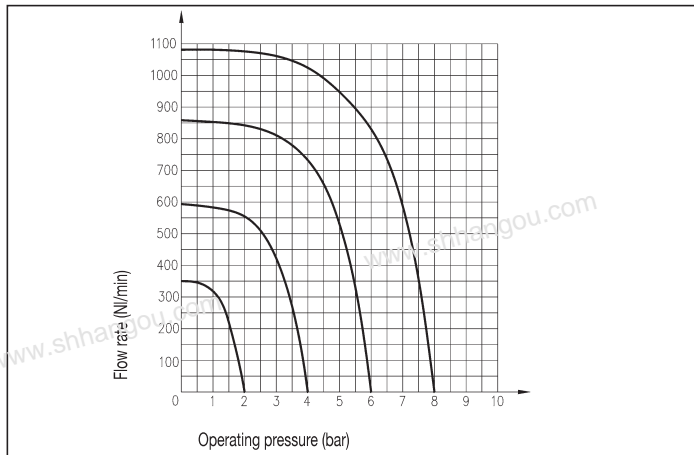
Valves series "EK" are produced in the 3/2, 5/2 and 5/3 pneumatic functions. The piloting solenoid valve can be assembled perpendicular respect the body valve, thanks to a suitable bracket. The kind of construction is based on a balanced spool with static seal, being the seals supported by distance rings integral to the body. This series of valves, in the size G 1/8 and G 1/4, is prearranged for both manifold mounting (conveyed inlet and exhausts), or supply rail mounting (conveyed inlet), by means of rear notch screws. The versions size G 1/4 - 5 port are available even with "Namur" port pattern.

TECHNICAL DATA

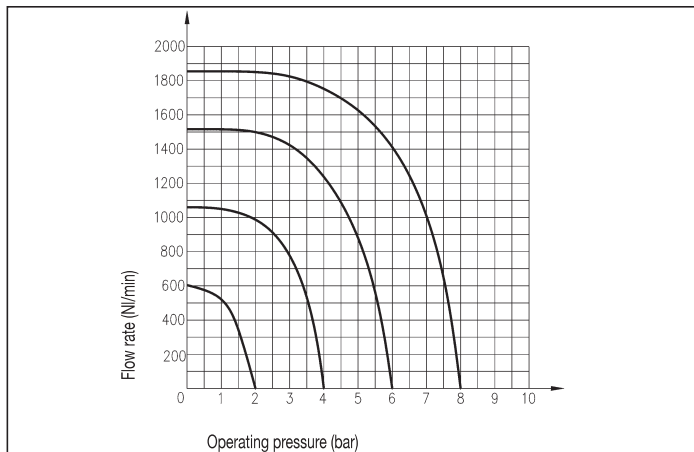
Operating pressure	Monostable: 2,5 ÷ 10 bar Bistable: 2 ÷ 10 bar
Working temperature	0 ÷ +70 °C (-20 °C with dry air)
Fluid	Filtered, unlubricated or continuous lubricated compressed air
Port size	G 1/8 - G 1/4 - G 1/2
Pneumatic piloting port size	G 1/8
Nominal diameter	G 1/8 = 5 mm; G 1/4 = 7 mm; G 1/2 = 12 mm
Piloting solenoid valve	C/USCSV - see chapter Direct acting solenoid valves on page 2.11
Coils	USB - see chapter Coils on page 2.14 USBG - see chapter Coils on page 2.14*
Electric connectors	USR 102/N9 - see chapter Connectors on page 2.15 ULR1B - see chapter Connectors on page 2.15*

*Only for single valve
(coil and connector overcome the overall dimensions of the valves)

FLOW CHART - EK G 1/8 - 5/2



FLOW CHART - EK G 1/4 - 5/2



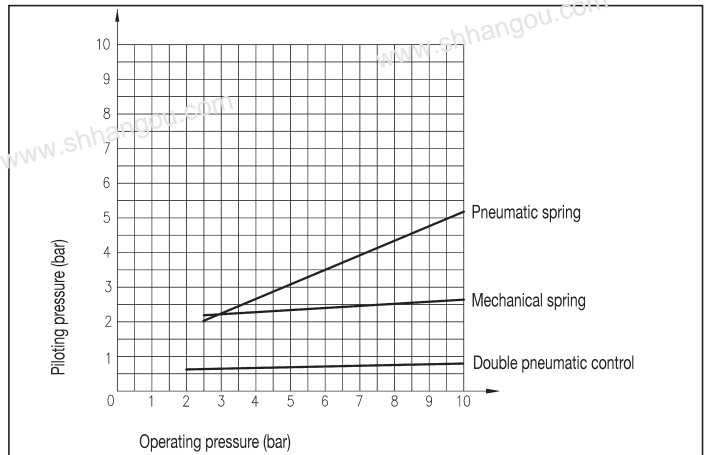
MATERIALS

Bottoms	Anodized aluminium alloy
Body	Anodized aluminium alloy
Distance rings	G 1/8 - G 1/4: Acetal resin G 1/2: Brass
Springs	Galvanized steel
Seals	NBR rubber
Spools	Anodized aluminium alloy
Piston	Anodized aluminium alloy

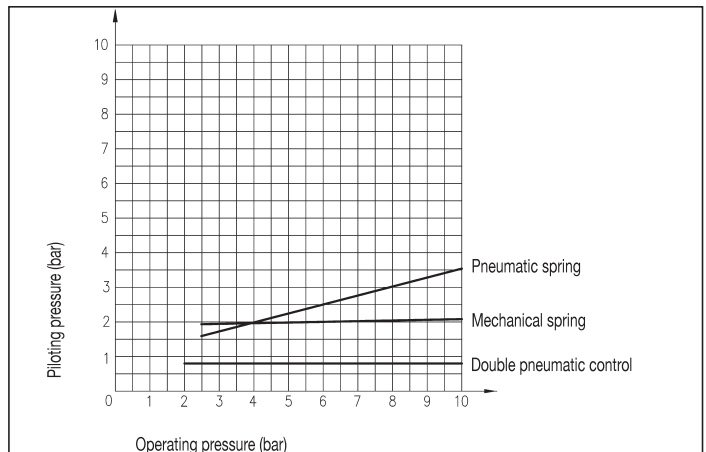
SPARE PARTS

SEALS KIT	
3 port G 1/8	EK/SG/8
3 port G 1/4	EK/SG/4
3 port G 1/2	EK/SG/2
5 port G 1/8	EKCA/SG/8
5 port G 1/4	EKCA/SG/4
5 port G 1/2	EKCA/SG/2
5 port G 1/4 Namur	ENCA/SG/4

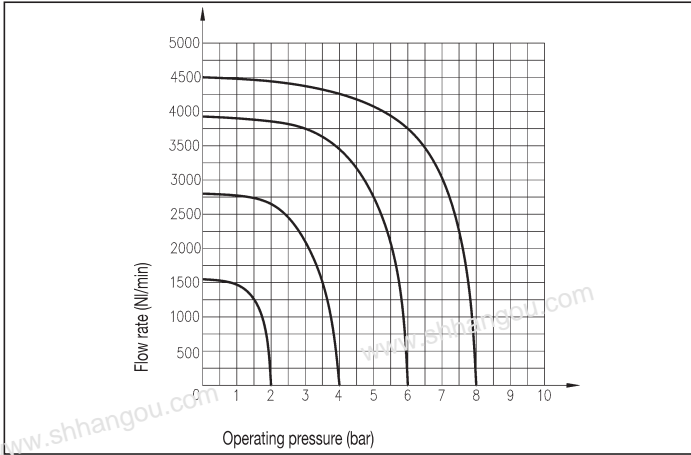
PILOTING CHART - EK G 1/8



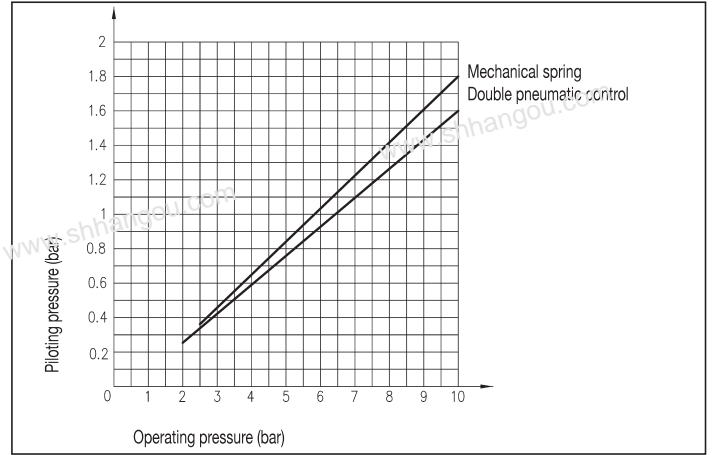
PILOTING CHART - EK G 1/4



FLOW CHART - EK G 1/2 - 5/2



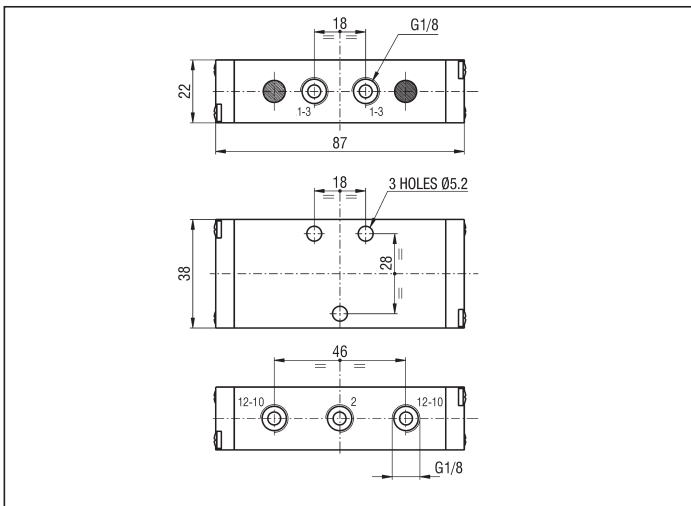
PILOTING CHART - EK G 1/2



PILOT ACTUATED VALVES G 1/8 - 3 PORT

Symbol	Function	Controls		Response time at 6 bar (ms)		Flow rate at 6 bar $\Delta P = 1$ bar (NL/min)	Weight (g)	TYPE
		Pilot	Return	Energized	De-energized			
	3/2 N.A. monostable	Pneumatic	Pneumatic spring	18	10	550	220	EKA8 KR/ZR
		Pneumatic	Pneumatic spring	26	16			
	3/2 N.C. monostable	Pneumatic	Pneumatic spring	14	8	550	220	EKC8 KR/ZR
		Pneumatic	Pneumatic spring	30	28			
	3/2 bistable	Pneumatic	Pneumatic	10	10	550	215	EK8 KR/KR
		Pneumatic	Pneumatic differential	10	15			

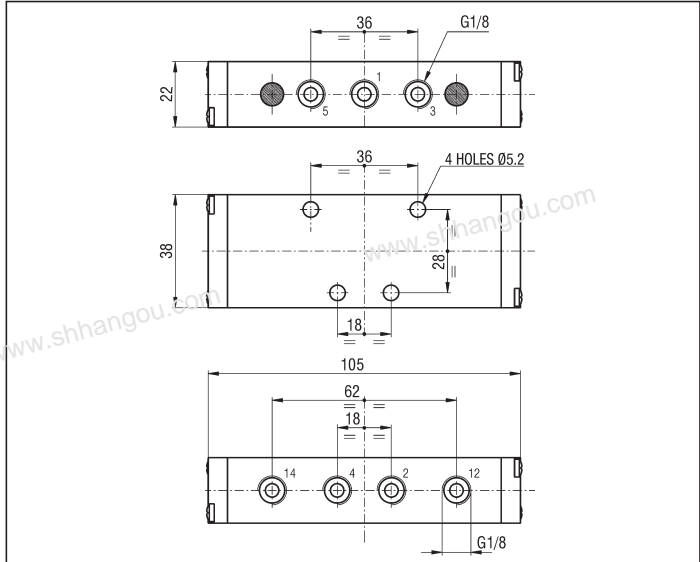
3 PORT



PILOT ACTUATED VALVES G 1/8 - 5 PORT

Symbol	Function	Controls		Response time at 6 bar (ms)		Flow rate at 6 bar $\Delta P = 1$ bar (l/min)	Weight (g)	TYPE
		Pilot	Return	Energized	De-energized			
	5/2 monostable	Pneumatic	Mechanical spring	20	10	550	270	EKCA8 KR/ZR
		Pneumatic	Mechanical spring	25	15	550	260	EKCA8 KR/TQ
	5/2 bistable	Pneumatic	Pneumatic	10	10	550	230	EKCA8 KR/KR
		Pneumatic	Pneumatic differential	12	15	550	230	EKCA8 KR/TR
	5/3 closed centre	Pneumatic	Mechanical spring	18	25	425	285	EKCA8 SR/SR
	5/3 open centre	Pneumatic	Mechanical spring	18	25	500	285	EKCA8 AR/AR
	5/3 pressure centre	Pneumatic	Mechanical spring	15	20	425	285	EKCA8 PR/PR

5 PORT



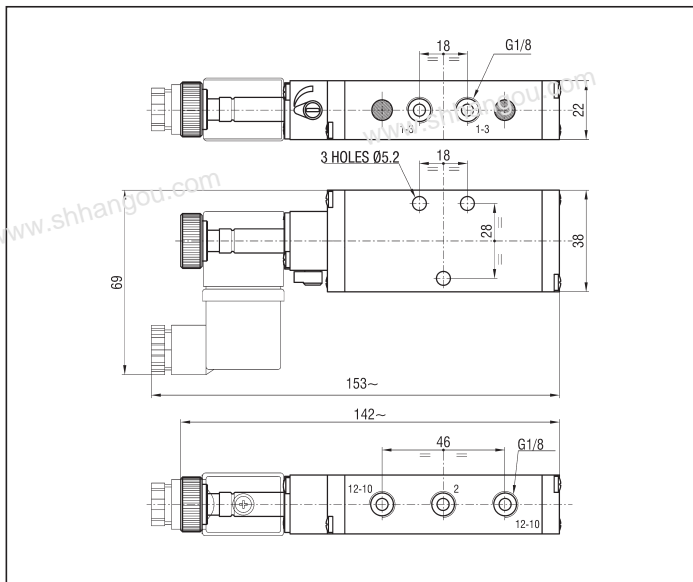
SOLENOID ACTUATED VALVES G 1/8 - 3 PORT

Symbol	Function	Controls		Response time at 6 bar (ms)		Flow rate at 6 bar $\Delta P = 1$ bar (Nl/min)	Weight (g)	TYPE*
		Pilot	Return	Energized	De-energized			
	3/2 N.O. monostable	Solenoid	Mechanical spring	24	28	550	250	EKA8 KUC/ZR
		Solenoid	Pneumatic spring	18	27	550	245	EKA8 KUC/TQ
		Solenoid pilot assisted	Mechanical spring	24	28	550	250	EKA8 KUR/ZR
	3/2 N.C. monostable	Solenoid	Mechanical spring	32	31	550	250	EKC8 KUC/ZR
		Solenoid	Pneumatic spring	22	28	550	245	EKC8 KUC/TQ
		Solenoid pilot assisted	Mechanical spring	32	31	550	250	EKC8 KUR/ZR
	3/2 bistable	Solenoid	Solenoid	21	21	550	290	EK8 KUC/KUC
		Solenoid pilot assisted	Solenoid pilot assisted	21	21	550	290	EK8 KUR/KUR

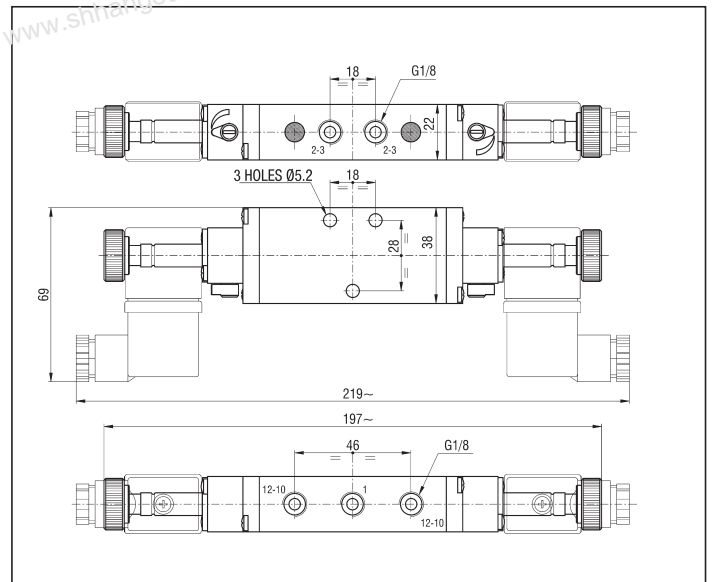
P.S.: SUBSTITUTE THE LETTER "U" WITH THE LETTER "L" IN EACH SOLENOID CONTROL TYPE TO ORDER THE SOLENOID ACTUATED VALVES WITH SOLENOID AT 90° RESPECT THE BODY OF THE VALVE. E.G.: EKC8 KUC/TQ BECOMES EKC8 KLC/TQ (SEE ON PAGE 2.59 FOR THE MISSING DIMENSIONS)

*THE TYPES OF THE SOLENOID VALVES DO NOT INCLUDE COILS

3 PORT MONOSTABLE



3 PORT BISTABLE

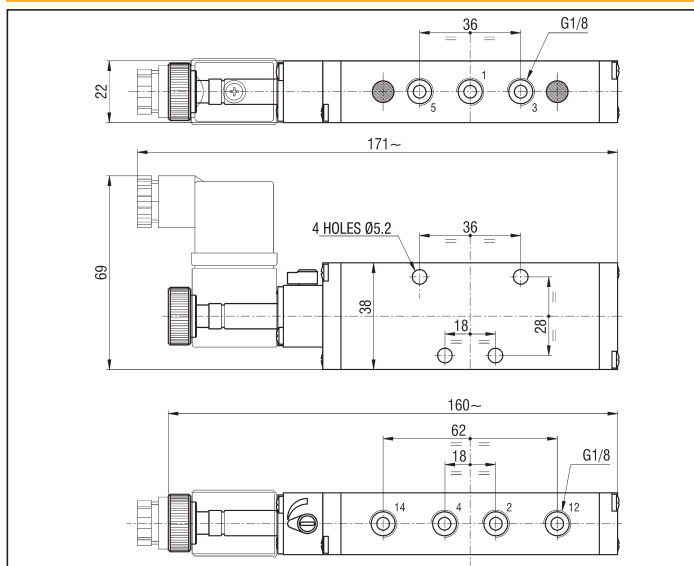


SOLENOID ACTUATED VALVES G 1/8 - 5 PORT

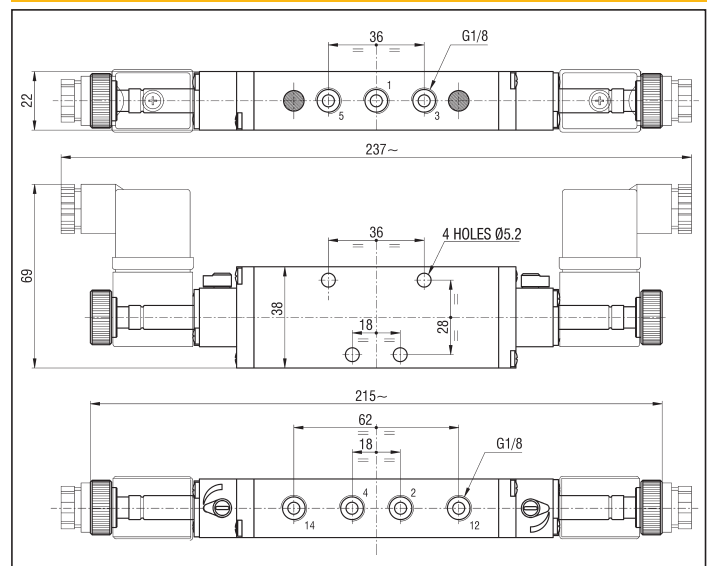
Symbol	Function	Controls		Response time at 6 bar (ms)		Flow rate at 6 bar $\Delta P = 1 \text{ bar (l/min)}$	Weight (g)	TYPE*
		Pilot	Return	Energized	De-energized			
	5/2 monostable	Solenoid	Mechanical spring	20	30	550	300	EKCA8 KUC/ZR
		Solenoid	Pneumatic spring	27	39	550	300	EKCA8 KUC/TQ
		Solenoid pilot assisted	Mechanical spring	20	30	550	300	EKCA8 KUR/ZR
	5/2 bistable	Solenoid	Solenoid	18	18	550	325	EKCA8 KUC/KUC
		Solenoid pilot assisted	Solenoid pilot assisted	18	18	550	325	EKCA8 KUR/KUR
	5/3 closed centre	Solenoid	Mechanical spring	23	37	425	335	EKCA8 SUC/SUC
		Solenoid pilot assisted	Mechanical spring	23	37	425	335	EKCA8 SUR/SUR
	5/3 open centre	Solenoid	Mechanical spring	23	37	500	345	EKCA8 AUC/AUC
		Solenoid pilot assisted	Mechanical spring	23	37	500	345	EKCA8 AUR/AUR
	5/3 pressure centre	Solenoid	Mechanical spring	20	35	425	335	EKCA8 PUC/PUC
		Solenoid pilot assisted	Mechanical spring	20	25	425	335	EKCA8 PUR/PUR

P.S.: SUBSTITUTE THE LETTER "U" WITH THE LETTER "L" IN EACH SOLENOID CONTROL TYPE TO ORDER THE SOLENOID ACTUATED VALVES WITH SOLENOID AT 90° RESPECT THE BODY OF THE VALVE. E.G.: EKCA8 KUC/TQ BECOMES EKCA8 KLC/TQ (SEE ON PAGE 2.59 FOR THE MISSING DIMENSIONS)
*THE TYPES OF THE SOLENOID VALVES DO NOT INCLUDE COILS

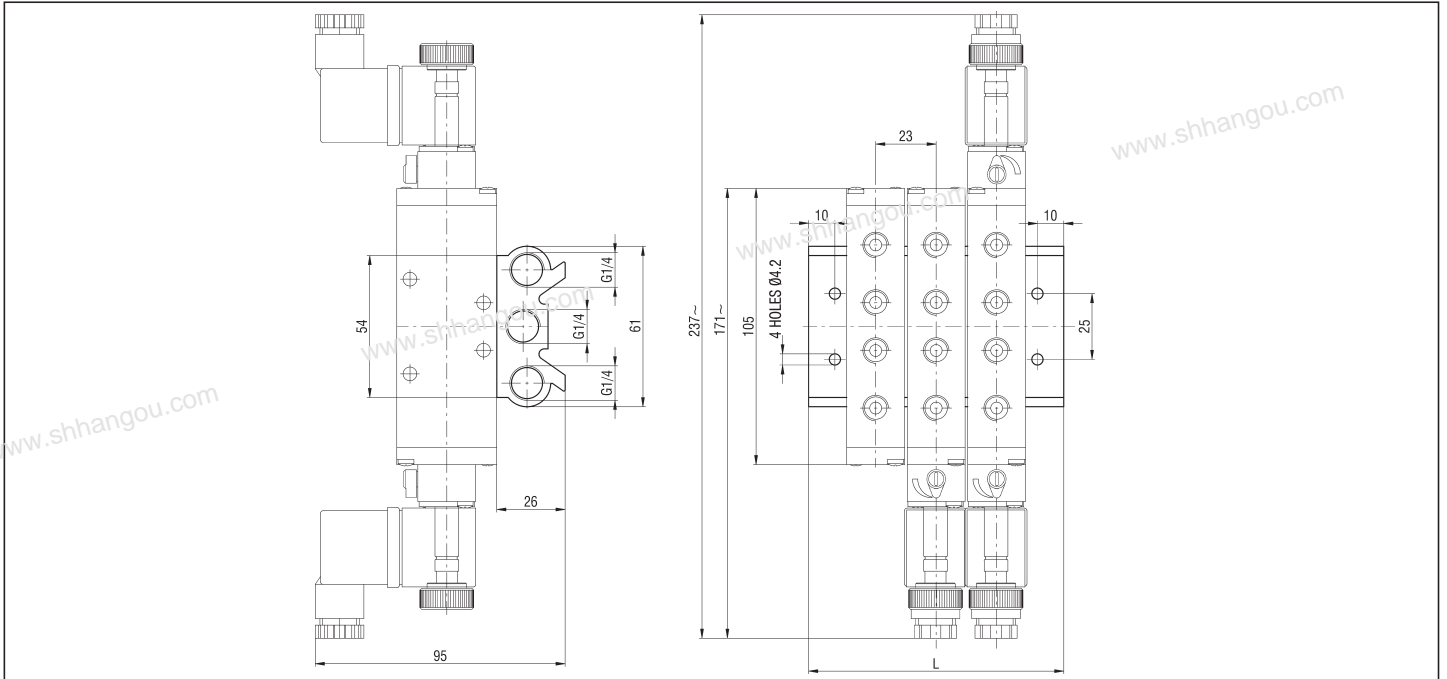
5 PORT MONOSTABLE



5 PORT AND 3 POSITION BISTABLE



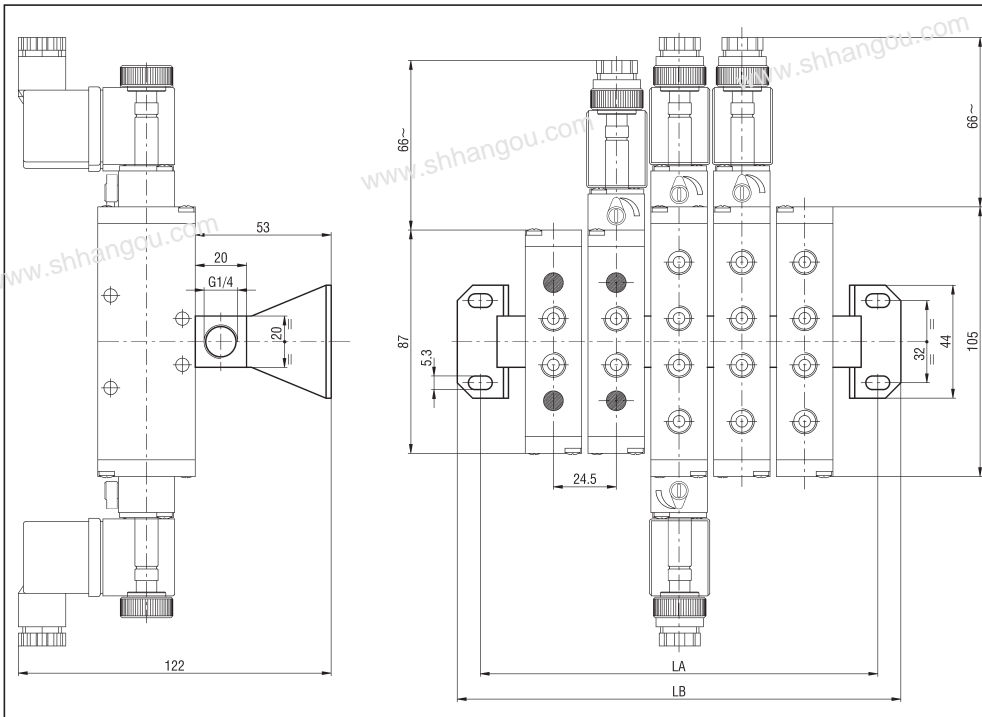
BASE FOR MANIFOLD MOUNTING OF VALVES G 1/8 - KB/EK8



No. of stations	2	3	4	5	6	8	10	12	14	16	18	20
L	74	97	120	143	166	212	258	304	350	396	442	488
Weight (g)	220	285	350	415	480	610	740	870	1000	1130	1260	1390
TYPE*	KB/EK8/2	KB/EK8/3	KB/EK8/4	KB/EK8/5	KB/EK8/6	KB/EK8/8	KB/EK8/10	KB/EK8/12	KB/EK8/14	KB/EK8/16	KB/EK8/18	KB/EK8/20

* BASES ARE SUPPLIED COMPLETE WITH NOTCH SCREWS AND SEALS

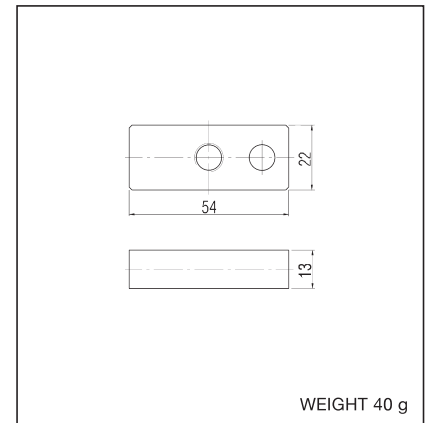
SUPPLY RAIL FOR MANIFOLD MOUNTING OF VALVES G 1/8 - CEK8



No. of stations	2	3	5
LA	83	105	150
LB	101	123	168
Weight (g)	135	170	240
TYPE*	CEK8/2	CEK8/3	CEK8/5

* SUPPLY RAILS ARE SUPPLIED COMPLETE WITH NOTCH SCREWS, SEALS AND FIXING BRACKETS

BLANKING PLATE - KIT /PC/EK8

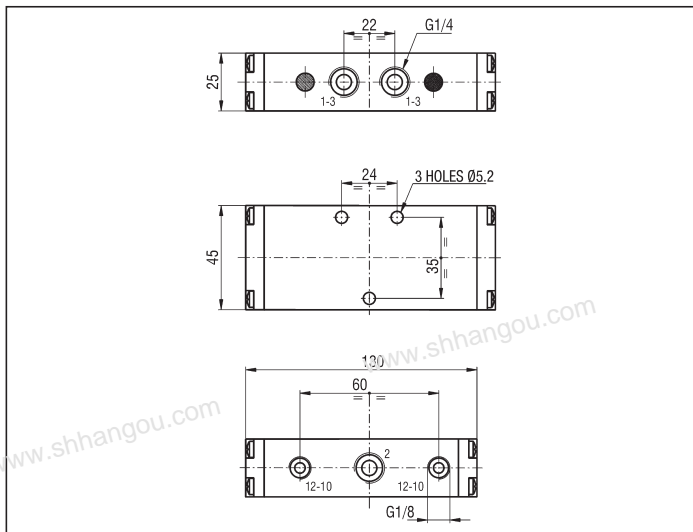


WEIGHT 40 g

PILOT ACTUATED VALVES G 1/4 - 3 PORT

Symbol	Function	Controls		Response time at 6 bar (ms)		Flow rate at 6 bar $\Delta P = 1$ bar (l/min)	Weight (g)	TYPE
		Pilot	Return	Energized	De-energized			
	3/2 N.O. monostable	Pneumatic	Mechanical spring	21	14	950	335	EKA4 KR/ZR
		Pneumatic	Pneumatic spring	28	10	950	325	EKA4 KR/TQ
	3/2 N.C. monostable	Pneumatic	Mechanical spring	21	14	950	335	EKC4 KR/ZR
		Pneumatic	Pneumatic spring	25	11	950	325	EKC4 KR/TQ
	3/2 bistable	Pneumatic	Pneumatic	11	11	950	330	EK4 KR/KR
		Pneumatic	Pneumatic differential	10	18	950	330	EK4 KR/TR

3 PORT

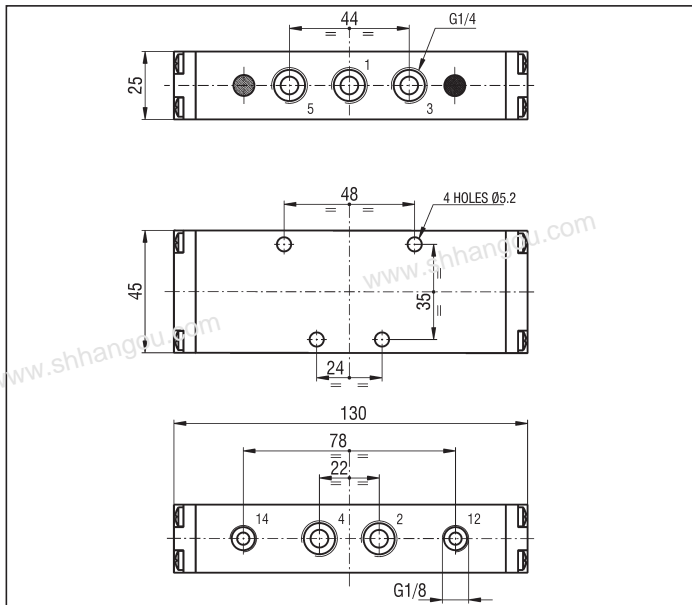


2

PILOT ACTUATED VALVES G 1/4 - 5 PORT

Symbol	Function	Controls		Response time at 6 bar (ms)		Flow rate at 6 bar $\Delta P = 1$ bar (NI/min)	Weight (g)	TYPE
		Pilot	Return	Energized	De-energized			
	5/2 monostable	Pneumatic	Mechanical spring	18	14	900	385	EKCA4 KR/ZR
		Pneumatic	Pneumatic spring	25	11	900	370	EKCA4 KR/TQ
	5/2 bistable	Pneumatic	Pneumatic	11	11	900	370	EKCA4 KR/KR
		Pneumatic	Pneumatic differential	10	20	900	370	EKCA4 KR/TR
	5/3 closed centre	Pneumatic	Mechanical spring	20	14	510	420	EKCA4 SR/SR
	5/3 open centre	Pneumatic	Mechanical spring	20	14	850	415	EKCA4 AR/AR
	5/3 pressure centre	Pneumatic	Mechanical spring	20	14	690	415	EKCA4 PR/PR

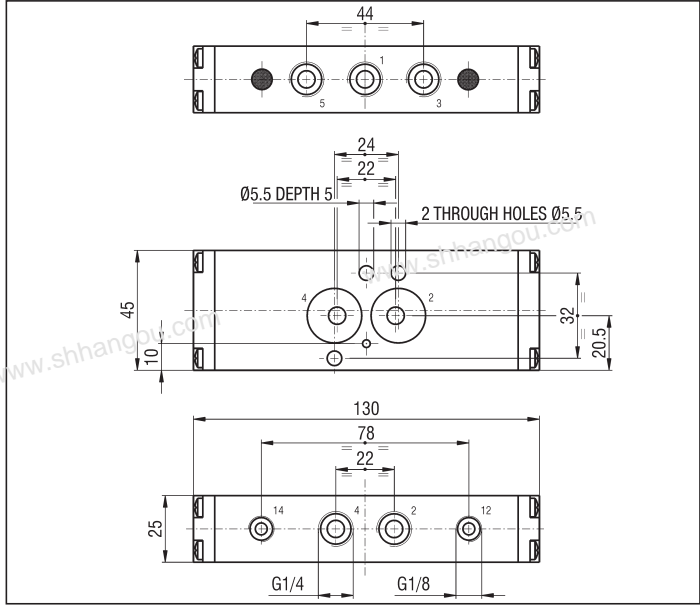
5 PORT



PILOT ACTUATED VALVES "NAMUR" PORT PATTERN - G 1/4 - 5 PORT

Symbol	Function	Controls		Response time at 6 bar (ms)		Flow rate at 6 bar $\Delta P = 1 \text{ bar}$ (l/min)	Weight (g)	TYPE
		Pilot	Return	Energized	De-energized			
	5/2 monostable	Pneumatic	Mechanical spring	18	14	900	390	ENCA4 KR/ZR
		Pneumatic	Pneumatic spring	25	11	900	375	ENCA4 KR/TQ
	5/2 bistable	Pneumatic	Pneumatic	11	11	900	375	ENCA4 KR/KR
		Pneumatic	Pneumatic differential	10	20	900	375	ENCA4 KR/TR
	5/3 closed centre	Pneumatic	Mechanical spring	20	14	510	425	ENCA4 SR/SR
	5/3 open centre	Pneumatic	Mechanical spring	20	14	850	420	ENCA4 AR/AR
	5/3 pressure centre	Pneumatic	Mechanical spring	20	14	690	420	ENCA4 PR/PR

"NAMUR" PORT PATTERN - 5 PORT



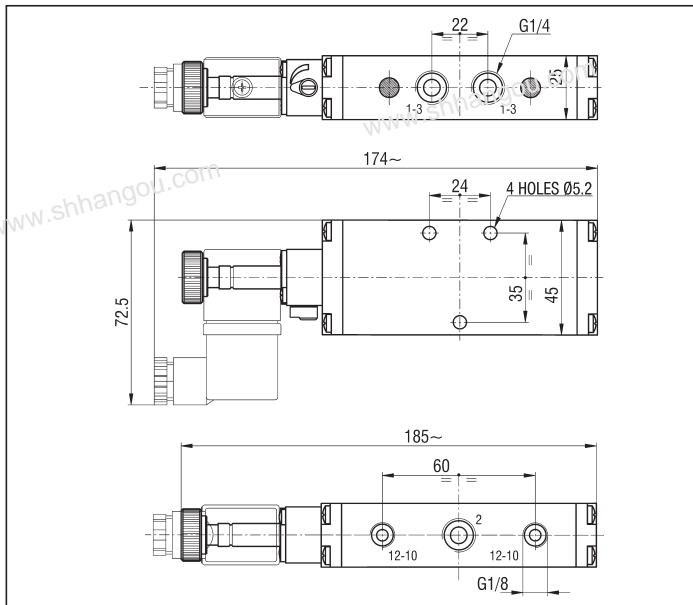
SOLENOID ACTUATED VALVES G 1/4 - 3 PORT

Symbol	Function	Controls		Response time at 6 bar (ms)		Flow rate at 6 bar $\Delta P = 1 \text{ bar (l/min)}$	Weight (g)	TYPE*
		Pilot	Return	Energized	De-energized			
	3/2 N.O. monostable	Solenoid	Mechanical spring	22	60	950	385	EKA4 KUC/ZR
		Solenoid	Pneumatic spring	24	50	950	370	EKA4 KUC/TQ
		Solenoid pilot assisted	Mechanical spring	22	60	950	385	EKA4 KUR/ZR
	3/2 N.C. monostable	Solenoid	Mechanical spring	22	60	950	385	EKC4 KUC/ZR
		Solenoid	Pneumatic spring	24	50	950	370	EKC4 KUC/TQ
		Solenoid pilot assisted	Mechanical spring	22	60	950	385	EKC4 KUR/ZR
	3/2 bistable	Solenoid	Solenoid	23	23	950	405	EK4 KUC/KUC
		Solenoid pilot assisted	Solenoid pilot assisted	23	23	950	405	EK4 KUR/KUR

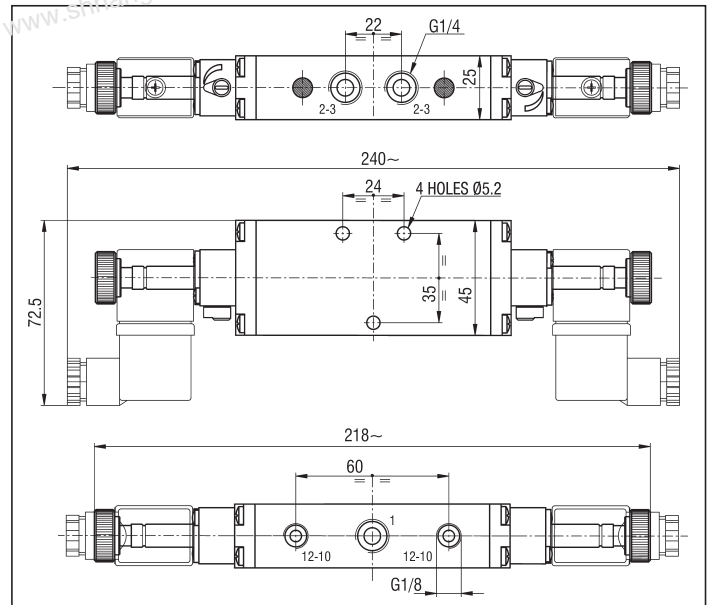
PS.: SUBSTITUTE THE LETTER "U" WITH THE LETTER "L" IN EACH SOLENOID CONTROL TYPE TO ORDER THE SOLENOID ACTUATED VALVES WITH SOLENOID AT 90° RESPECT THE BODY OF THE VALVE. E.G.: EKC4 KUC/TQ BECOMES EKC4 KLC/TQ (SEE ON PAGE 2.59 FOR THE MISSING DIMENSIONS)

*THE TYPES OF THE SOLENOID VALVES DO NOT INCLUDE COILS

3 PORT MONOSTABLE



3 PORT BISTABLE



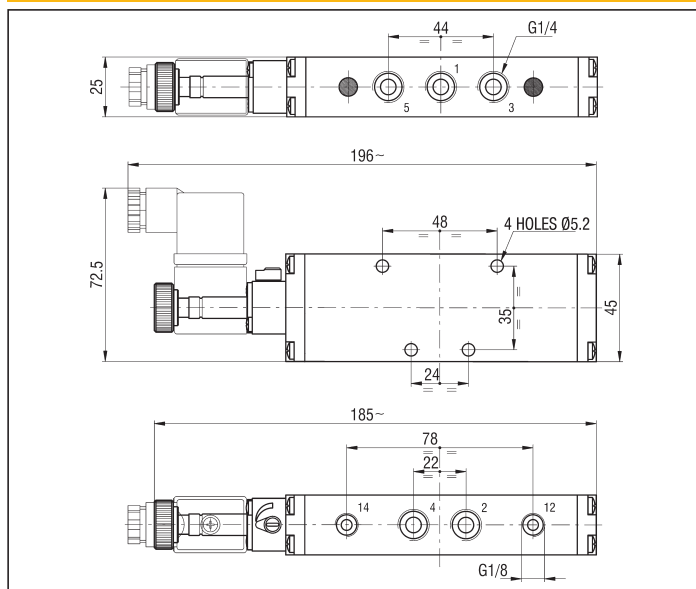
SOLENOID ACTUATED VALVES G 1/4 - 5 PORT

Symbol	Function	Controls		Response time at 6 bar (ms)		Flow rate at 6 bar $\Delta P = 1 \text{ bar (l/min)}$	Weight (g)	TYPE*
		Pilot	Return	Energized	De-energized			
	5/2 monostable	Solenoid	Mechanical spring	32	65	900	430	EKCA4 KUC/ZR
		Solenoid	Pneumatic spring	32	65	900	415	EKCA4 KUC/TQ
		Solenoid pilot assisted	Mechanical spring	32	65	900	430	EKCA4 KUR/ZR
	5/2 bistable	Solenoid	Solenoid	21	21	900	475	EKCA4 KUC/KUC
		Solenoid pilot assisted	Solenoid pilot assisted	21	21	900	475	EKCA4 KUR/KUR
	5/3 closed centre	Solenoid	Mechanical spring	25	50	510	490	EKCA4 SUC/SUC
		Solenoid pilot assisted	Mechanical spring	25	50	510	490	EKCA4 SUR/SUR
	5/3 open centre	Solenoid	Mechanical spring	25	50	850	485	EKCA4 AUC/AUC
		Solenoid pilot assisted	Mechanical spring	25	50	850	485	EKCA4 AUR/AUR
	5/3 pressure centre	Solenoid	Mechanical spring	25	50	690	490	EKCA4 PUC/PUC
		Solenoid pilot assisted	Mechanical spring	25	50	690	490	EKCA4 PUR/PUR

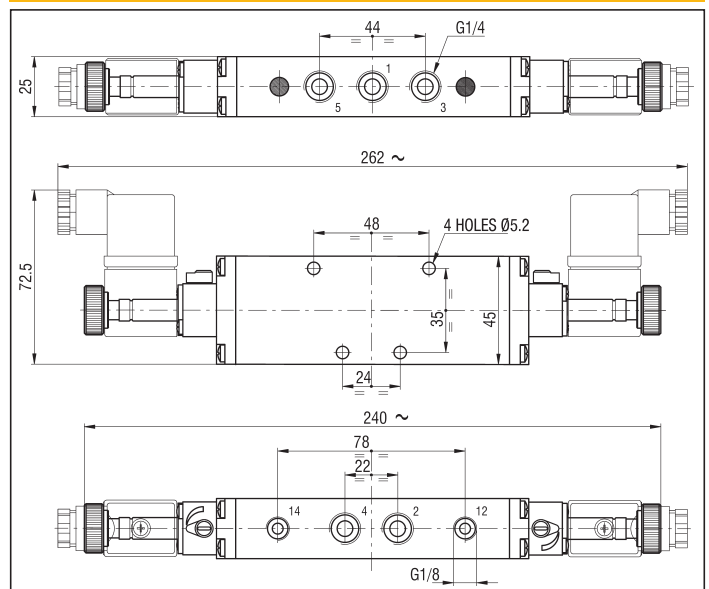
PS.: SUBSTITUTE THE LETTER "U" WITH THE LETTER "L" IN EACH SOLENOID CONTROL TYPE TO ORDER THE SOLENOID ACTUATED VALVES WITH SOLENOID AT 90° RESPECT THE BODY OF THE VALVE. E.G.: EKCA4 KUC/TQ BECOMES EKCA4 KLC/TQ (SEE ON PAGE 2.59 FOR THE MISSING DIMENSIONS)

*THE TYPES OF THE SOLENOID VALVES DO NOT INCLUDE COILS

5 PORT MONOSTABLE



5 PORT AND 3 POSITION BISTABLE

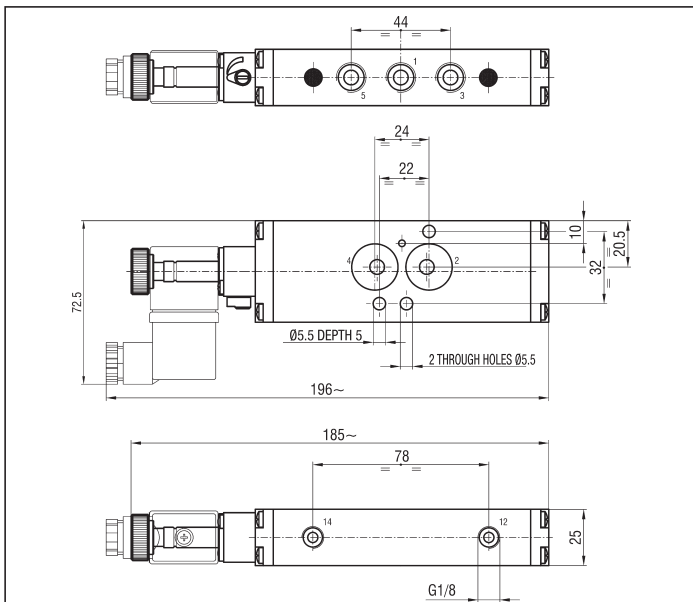


SOLENOID ACTUATED VALVES "NAMUR" PORT PATTERN - G 1/4 - 5 PORT

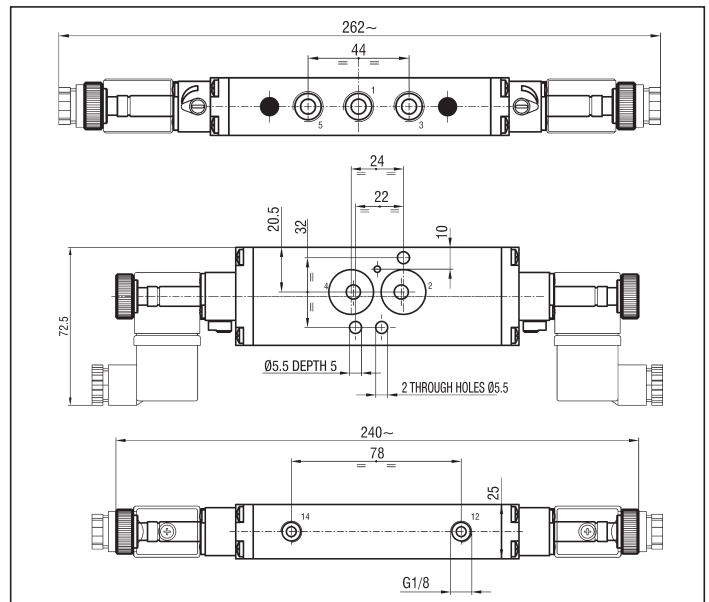
Symbol	Function	Controls		Response time at 6 bar (ms)		Flow rate at 6 bar $\Delta P = 1$ bar (l/min)	Weight (g)	TYPE*
		Pilot	Return	Energized	De-energized			
	5/2 monostable	Solenoid	Mechanical spring	32	65	900	440	ENCA4 KUC/ZR
		Solenoid	Pneumatic spring	32	65	900	425	ENCA4 KUC/TQ
		Solenoid pilot assisted	Mechanical spring	32	65	900	440	ENCA4 KUR/ZR
	5/2 bistable	Solenoid	Solenoid	21	21	900	485	ENCA4 KUC/KUC
		Solenoid pilot assisted	Solenoid pilot assisted	21	21	900	485	ENCA4 KUR/KUR
	5/3 closed centre	Solenoid	Mechanical spring	25	50	510	500	ENCA4 SUC/SUC
		Solenoid pilot assisted	Mechanical spring	25	50	510	500	ENCA4 SUR/SUR
	5/3 open centre	Solenoid	Mechanical spring	25	50	850	495	ENCA4 AUC/AUC
		Solenoid pilot assisted	Mechanical spring	25	50	850	495	ENCA4 AUR/AUR
	5/3 pressure centre	Solenoid	Mechanical spring	25	50	690	500	ENCA4 PUC/PUC
		Solenoid pilot assisted	Mechanical spring	25	50	690	500	ENCA4 PUR/PUR

P.S.: SUBSTITUTE THE LETTER "U" WITH THE LETTER "L" IN EACH SOLENOID CONTROL TYPE TO ORDER THE SOLENOID ACTUATED VALVES WITH SOLENOID AT 90° RESPECT THE BODY OF THE VALVE.
 E.G.: ENCA4 KUC/TQ BECOMES ENCA4 KLC/TQ (SEE ON PAGE 2.59 FOR THE MISSING DIMENSIONS) *THE TYPES OF THE SOLENOID VALVES DO NOT INCLUDE COILS

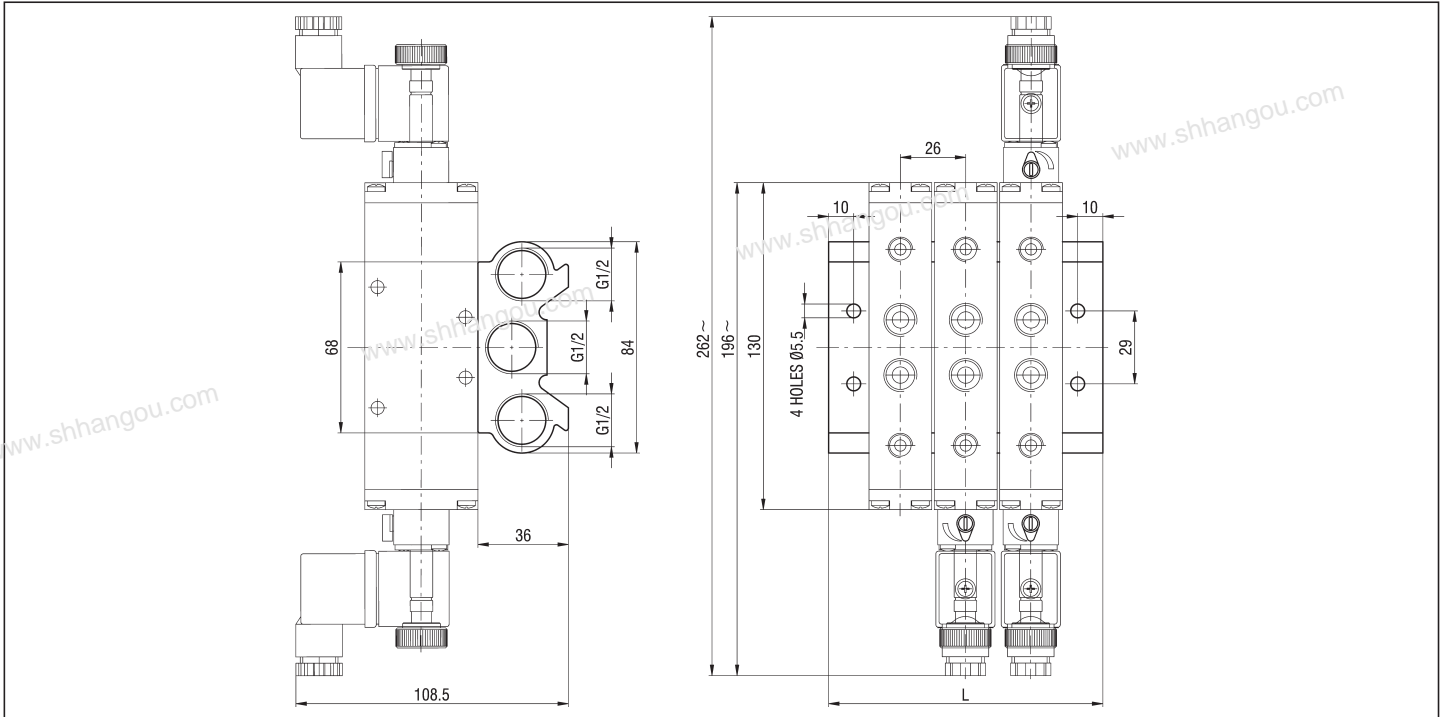
"NAMUR" PORT PATTERN - 5 PORT MONOSTABLE



"NAMUR" PORT PATTERN - 5 PORT AND 3 POSITION BISTABLE



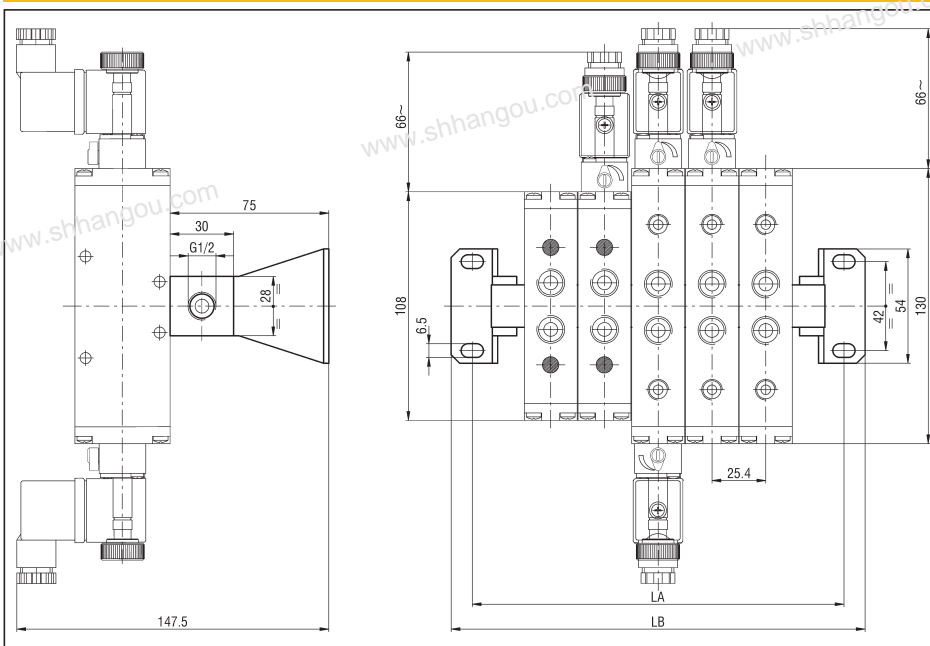
BASE FOR MANIFOLD MOUNTING OF VALVES G 1/4 - KB/EK4



No. of stations	2	3	4	5	6	8	10	12	14	16	18	20
L	83	109	135	161	187	239	291	343	395	447	499	551
Weight (g)	460	590	720	850	980	1240	1500	1760	2020	2280	2540	2800
TYPE*	KB/EK4/2	KB/EK4/3	KB/EK4/4	KB/EK4/5	KB/EK4/6	KB/EK4/8	KB/EK4/10	KB/EK4/12	KB/EK4/14	KB/EK4/16	KB/EK4/18	KB/EK4/20

* BASES ARE SUPPLIED COMPLETE WITH NOTCH SCREWS AND SEALS

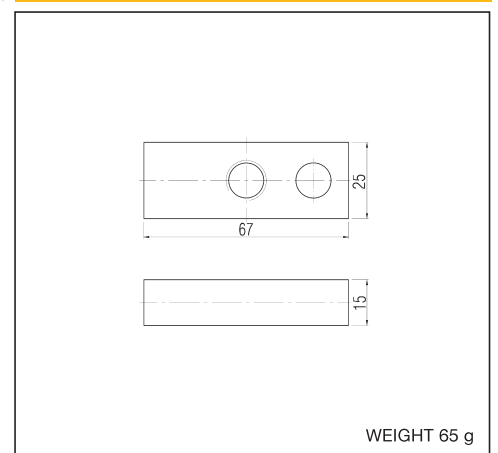
SUPPLY RAIL FOR MANIFOLD MOUNTING OF VALVES G 1/4 - CEK4



No. of stations	2	3	5
LA	99	125	176
LB	119	145	196
Weight (g)	310	390	550
TYPE*	CEK4/2	CEK4/3	CEK4/5

* SUPPLY RAILS ARE SUPPLIED COMPLETE WITH NOTCH SCREWS, SEALS AND FIXING BRACKETS

BLANKING PLATE - KIT/PC/EK4



WEIGHT 65 g

2

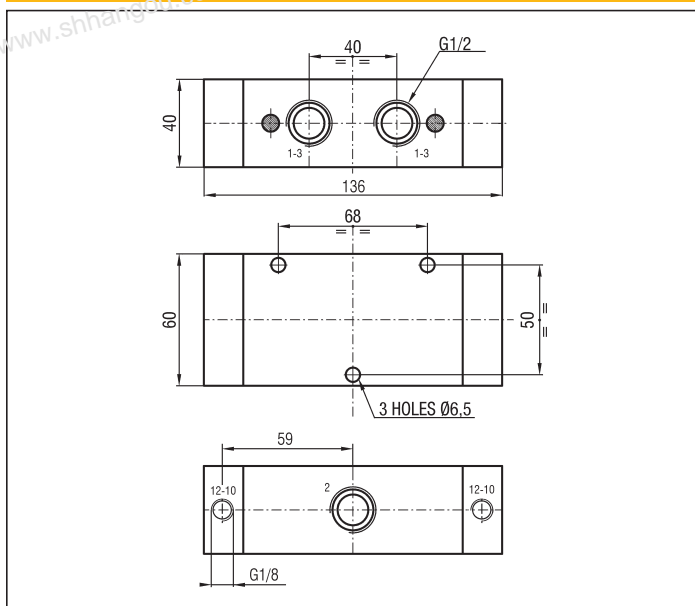
PILOT ACTUATED VALVES G 1/2 - 3 PORT

Symbol	Function	Controls		Response time at 6 bar (ms)		Flow rate at 6 bar $\Delta P = 1$ bar (l/min)	Weight (g)	TYPE
		Pilot	Return	Energized	De-energized			
	3/2 N.O. monostable	Pneumatic	Mechanical spring	21	27	2400	770	EKA2 KR/ZR
	3/2 N.O. monostable	Pneumatic	Mechanical spring	21	27	2400	760	EKA2 KR/TQ
	3/2 N.C. monostable	Pneumatic	Mechanical spring	21	27	2200	770	EKC2 KR/ZR
	3/2 N.C. monostable	Pneumatic	Mechanical spring	21	27	2200	760	EKC2 KR/TQ
	3/2 bistable	Pneumatic	Pneumatic	20	20	2200	790	EK2 KR/KR

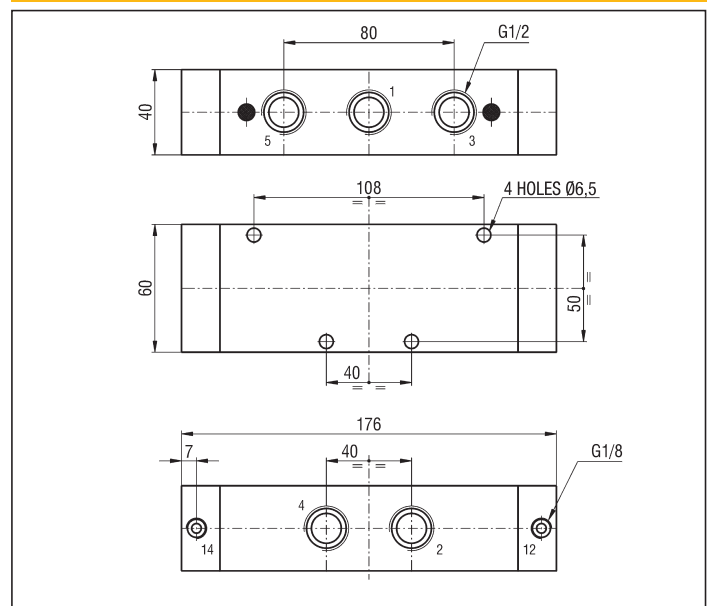
SOLENOID ACTUATED VALVES G 1/2 - 5 PORT

Symbol	Function	Controls		Response time at 6 bar (ms)		Flow rate at 6 bar $\Delta P = 1$ bar (l/min)	Weight (g)	TYPE
		Pilot	Return	Energized	De-energized			
	5/2 monostable	Solenoid	Mechanical spring	21	27	2800	1010	EKCA2 KR/ZR
		Solenoid	Pneumatic spring	21	27	2800	1000	EKCA2 KR/TQ
	5/2 bistable	Solenoid	Solenoid	20	20	2800	1000	EKCA2 KR/KR
	5/3 closed centre	Solenoid	Mechanical spring	20	25	1700	1020	EKCA2 SR/SR

3 PORT BISTABLE



5 PORT BISTABLE



SOLENOID ACTUATED VALVES G 1/2 - 3 PORT

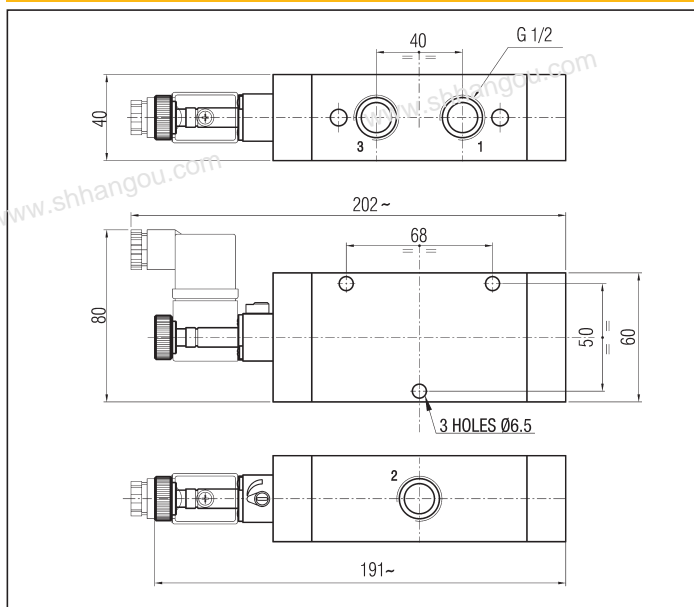
Symbol	Function	Controls		Response time at 6 bar (ms)		Flow rate at 6 bar $\Delta P = 1$ bar (l/min)	Weight (g)	TYPE*
		Pilot	Return	Energized	De-energized			
	3/2 N.O. monostable	Solenoid	Mechanical spring	30	90	2400	800	EKA2 KUC/ZR
		Solenoid pilot assisted	Mechanical spring	30	90	2400	800	EKA2 KUR/ZR
		Solenoid	Mechanical spring	30	90	2400	790	EKA2 KUC/TQ
	3/2 N.C. monostable	Solenoid	Mechanical spring	30	90	2200	800	EKC2 KUC/ZR
		Solenoid pilot assisted	Mechanical spring	30	90	2200	800	EKC2 KUR/ZR
		Solenoid	Mechanical spring	30	90	2200	790	EKC2 KUC/TQ
	3/2 bistable	Solenoid	Solenoid	25	25	2200	850	EK2 KUC/KUC
		Solenoid pilot assisted	Solenoid pilot assisted	25	25	2200	850	EK2 KUR/KUR

P.S.: SUBSTITUTE THE LETTER "U" WITH THE LETTER "L" IN EACH SOLENOID CONTROL TYPE TO ORDER THE SOLENOID ACTUATED VALVES WITH SOLENOID AT 90° RESPECT THE BODY OF THE VALVE.

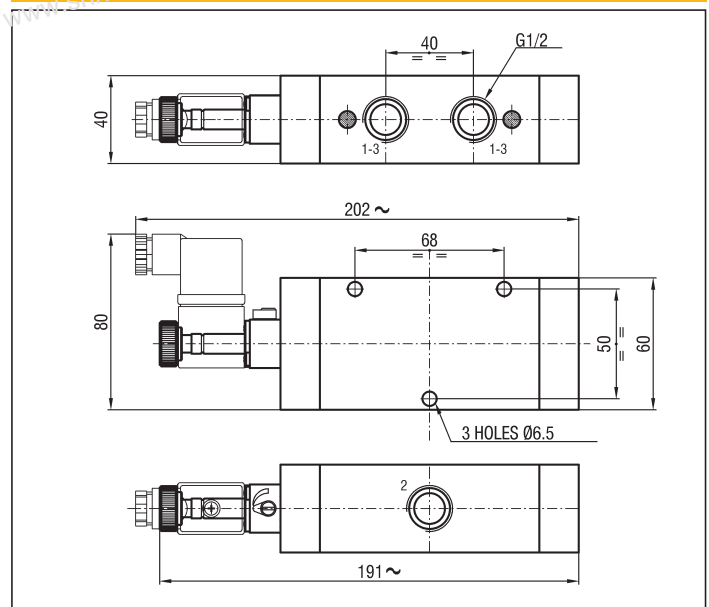
E.G.: EKA2 KUC/TQ BECOMES EKA2 KLC/TQ (SEE ON PAGE 2.59 FOR THE MISSING DIMENSIONS)

*THE TYPES OF THE SOLENOID VALVES DO NOT INCLUDE COILS

3 PORT MONOSTABLE



3 PORT BISTABLE



SOLENOID ACTUATED VALVES G 1/2 - 5 PORT

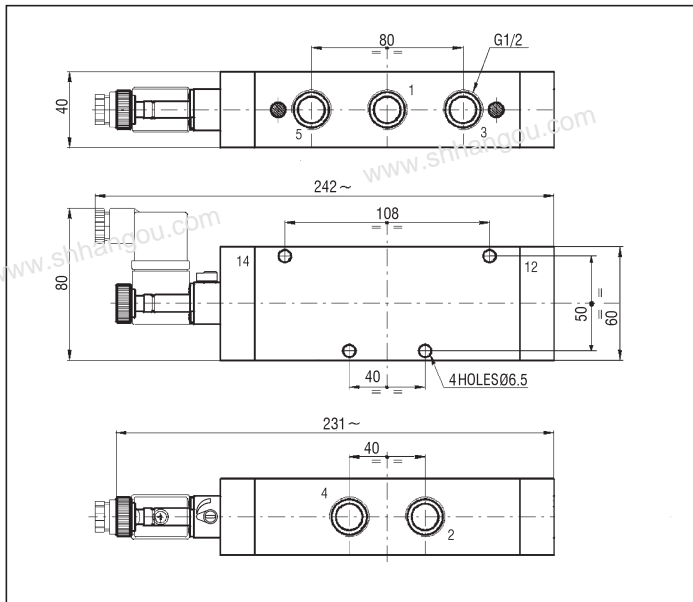
Symbol	Function	Controls		Response time at 6 bar (ms)		Flow rate at 6 bar $\Delta P = 1 \text{ bar (l/min)}$	Weight (g)	TYPE*
		Pilot	Return	Energized	De-energized			
	5/2 monostable	Solenoid	Mechanical spring	30	90	2800	1025	EKCA2 KUC/ZR
		Solenoid	Pneumatic spring	30	90	2800	1015	EKCA2 KUC/TQ
		Solenoid pilot assisted	Mechanical spring	30	90	2800	1025	EKCA2 KUR/ZR
	5/2 bistable	Solenoid	Solenoid	25	25	2800	1075	EKCA2 KUC/KUC
		Solenoid pilot assisted	Solenoid pilot assisted	25	25	2800	1075	EKCA2 KUR/KUR
	5/3 closed centre	Solenoid	Mechanical spring	25	80	1700	1085	EKCA2 SUC/SUC
		Solenoid pilot assisted	Mechanical spring	25	80	1700	1085	EKCA2 SUR/SUR

P.S.: SUBSTITUTE THE LETTER "U" WITH THE LETTER "L" IN EACH SOLENOID CONTROL TYPE TO ORDER THE SOLENOID ACTUATED VALVES WITH SOLENOID AT 90° RESPECT THE BODY OF THE VALVE.

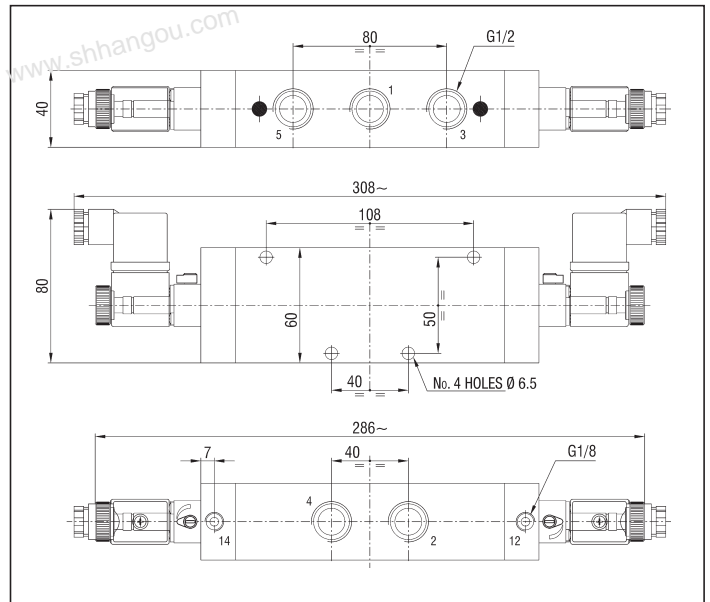
E.G.: EKCA2 KUC/TQ BECOMES EKCA2 KLC/TQ (SEE ON PAGE 2.59 FOR THE MISSING DIMENSIONS)

*THE TYPES OF THE SOLENOID VALVES DO NOT INCLUDE COILS

5 VIE MONOSTABLE

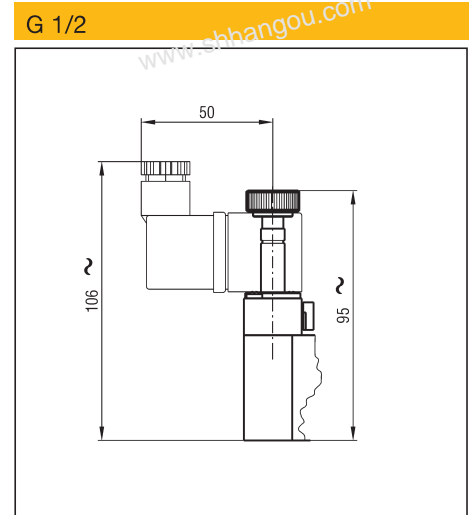
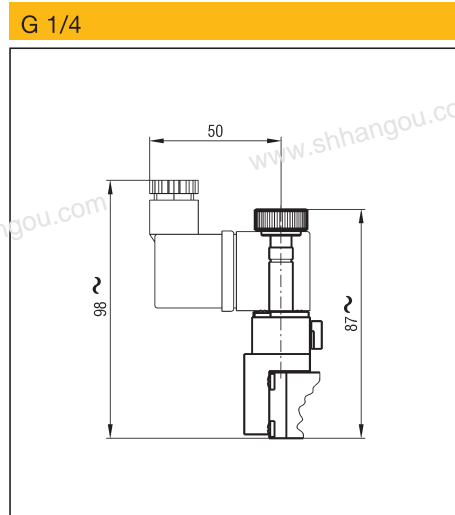
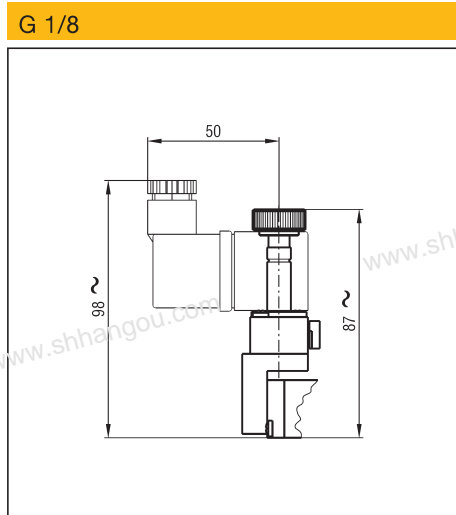


5 VIE BISTABLE



SOLENOID ACTUATED VALVES WITH SOLENOID AT 90°

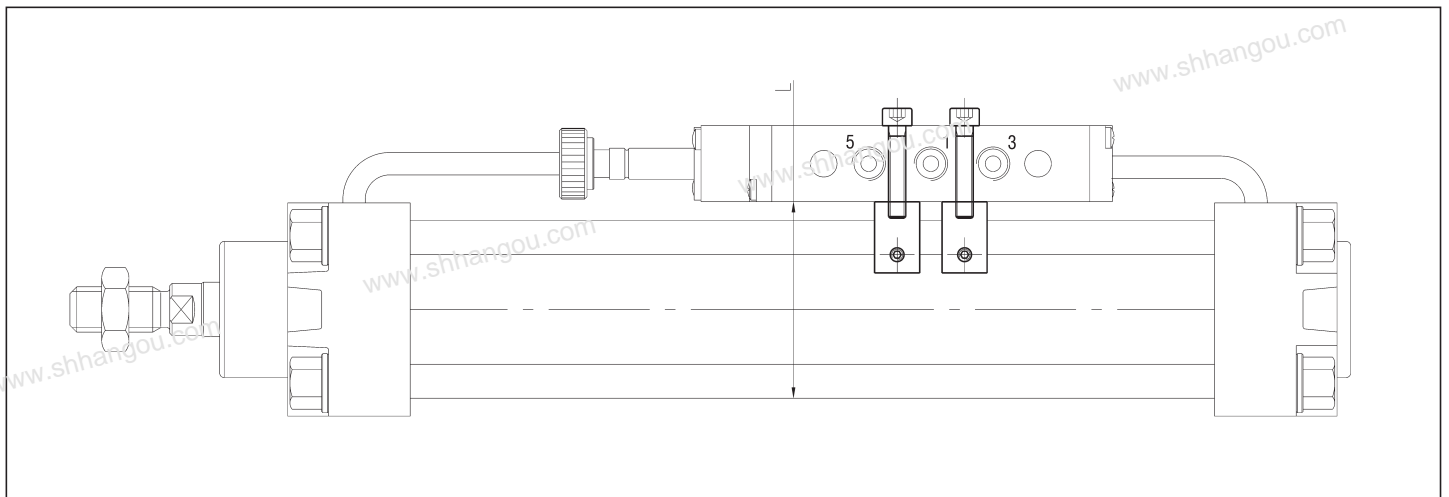
SUBSTITUTE THE LETTER "U" WITH THE LETTER "L" IN EACH SOLENOID CONTROL TYPE TO ORDER THE SOLENOID ACTUATED VALVES WITH SOLENOID AT 90° RESPECT THE BODY OF THE VALVE. E.G.: EKCA2 KUC/TQ BECOMES EKCA2 KLC/TQ



2

ACCESSORIES

MOUNTING BRACKET FOR PILOT AND SOLENOID ACTUATED VALVES TYPES EK 4 - EK 8 ON CYLINDER SERIES "CPU1" (see from page 1.25)



Ø CYLINDER	L	TYPE*
32	50,5	SQ32-40/EK
40	57,5	
50	69	SQ50-63/EK
63	79,5	
80	95,5	SQ80-100/EK
100	113	

* BRACKETS ARE SUPPLIED COMPLETE WITH DOWELS AND SCREWS
P.S.: PLEASE CHECK BEFORE ORDERING THE COUPLED DIMENSIONS OF THE CYLINDER WITH THE VALVE