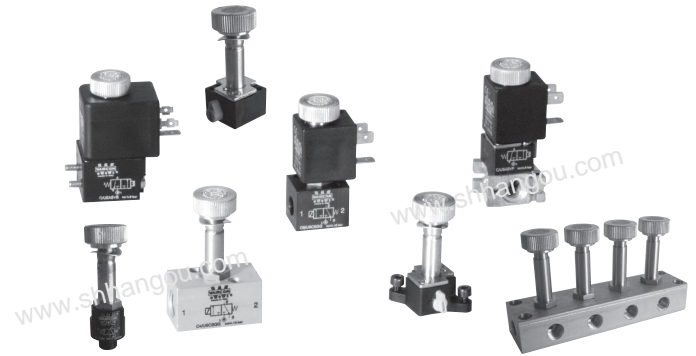


## DESCRIPTION

The direct acting solenoid valves series "C/" are produced in conformity with the Directives EC 89/336, EC 92/31, EC 93/68, EC 73/23 in the 3/2 N.O. and 3/2 N.C. pneumatic functions. Using the same mechanic, it is possible to obtain four standard versions: side 22 mm - body ported, side 22 mm - body with interface, side 30 mm - body with ex CNOMO interface and body with interface for mounting on poppet and ex CETOP (with fixed position and rotatable coil) valves. All the solenoid valves with interface can be mounted on single modular bases. The version side 30 mm with ex CNOMO interface, in the 3/2 N.C. pneumatic function, has two different manual overrides as standard: bistable screwdriver and monostable push button.



2

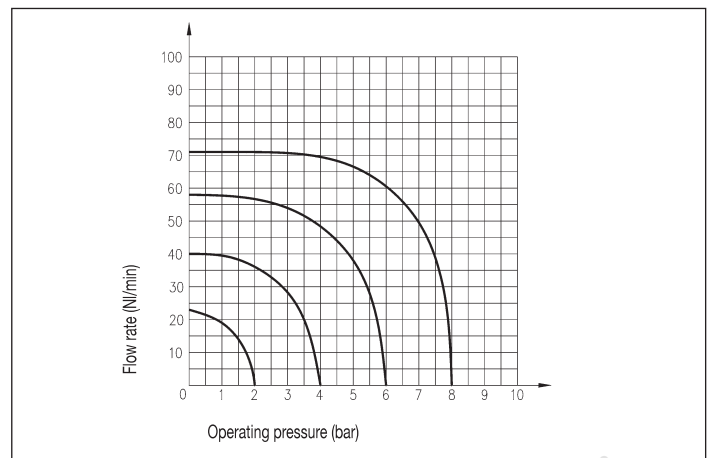
## TECHNICAL DATA

|                          |  |
|--------------------------|--|
| Operating pressure       | 0 ÷ 10 bar N.C.<br>0 ÷ 8 bar N.O.  |
| Working temperature      | 0 ÷ +50 °C (-20 °C with dry air)   |
| Fluid                    | Filtered, unlubricated or continuous lubricated compressed air                                 |
| Sleeve                   | Ø 9 mm   |
| Nominal diameter         | 1,1 mm   |
| Max. operating frequency | ≤13 Hz   |
| Coils                    | USB - see chapter Coils on page 2.14<br>USBG - see chapter Coils on page 2.14                  |
| Electric connectors      | USR102/N9 - see chapter Connectors on page 2.15<br>ULR1B - see chapter Connectors on page 2.15 |

## MATERIALS

|                           |                 |
|---------------------------|-----------------|
| Core                      | IMRE            |
| Body ported G 1/8 - G 1/4 | Aluminium       |
| Body and manual override  | Acetal resin    |
| Springs                   | Stainless steel |
| Seals                     | Viton®          |

## FLOW CHART - C/



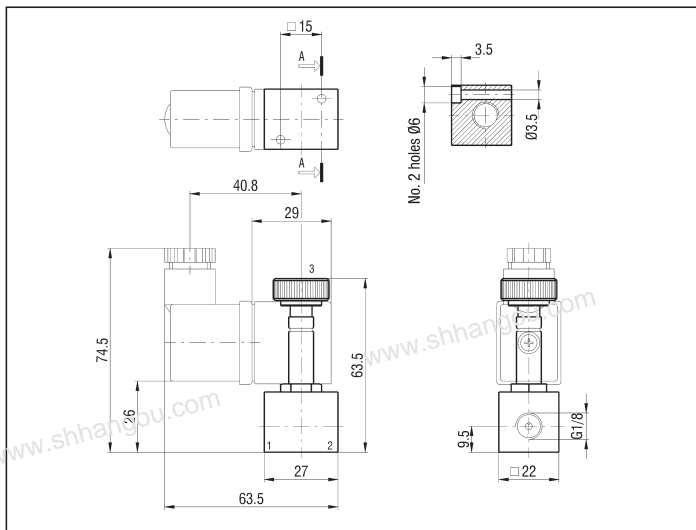
## 3 PORT G 1/8 - G 1/4 SIDE 22 mm

| Symbol | Function | Controls |                   | Response time at 6 bar (ms) |              | Flow rate at 6 bar<br>ΔP = 1 bar<br>(Nl/min) | Manual override | Size | Weight (g) | TYPE*     |
|--------|----------|----------|-------------------|-----------------------------|--------------|--|-----------------|------|------------|-----------|
|        |          | Pilot    | Return            | Energized                   | De-energized |  |                 |      |            |           |
|        | 3/2 N.O. | Solenoid | Mechanical spring | 10                          | 20           | 48   | G 1/8           | -    | 46         | C8/USASGG |
|        | 3/2 N.O. | Solenoid | Mechanical spring | 10                          | 20           | 48   | G 1/4           | -    | 46         | C4/USASGG |
|        | 3/2 N.C. | Solenoid | Mechanical spring | 10                          | 20           | 36   | G 1/8           | -    | 65         | C8/USCSGG |
|        | 3/2 N.C. | Solenoid | Mechanical spring | 10                          | 20           | 36   | G 1/4           | -    | 80         | C4/USCSGG |

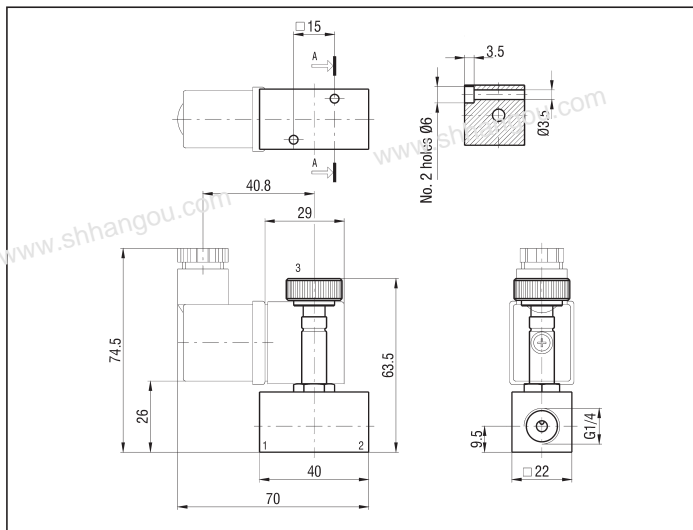
\* THE TYPES OF THE SOLENOID VALVES DO NOT INCLUDE COILS

2

### 3 PORT G 1/8



### 3 PORT G 1/4



### MANIFOLD BASE OF SOLENOID VALVES SIDE PORTED G 1/8 N.C. - C8/USCP AND N.O. - C8/USAP

| N° of stations | 4         | 6         | 8         |
|----------------|-----------|-----------|-----------|
| LA             | 115       | 165       | 215       |
| LB             | 105       | 155       | 205       |
| Weight (g)     | 172       | 258       | 344       |
| TYPE N.C.      | C8/USCP/4 | C8/USCP/6 | C8/USCP/8 |
| TYPE N.O.      | C8/USAP/4 | C8/USAP/6 | C8/USAP/8 |

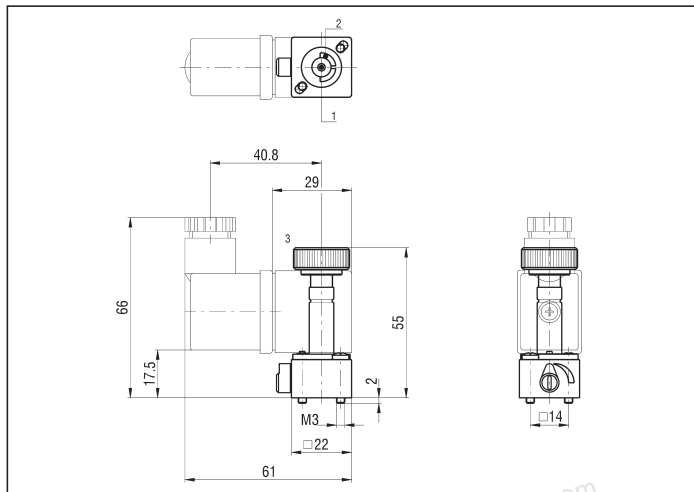
P.S.: MANIFOLD BASES OF SOLENOID VALVES WITH "MIXED" OPERATION (N.O./N.C.) ARE SUPPLIED UPON REQUEST

## 3 PORT WITH INTERFACE FOR MODULAR BASES AND SPOOL VALVES SIDE 22 mm

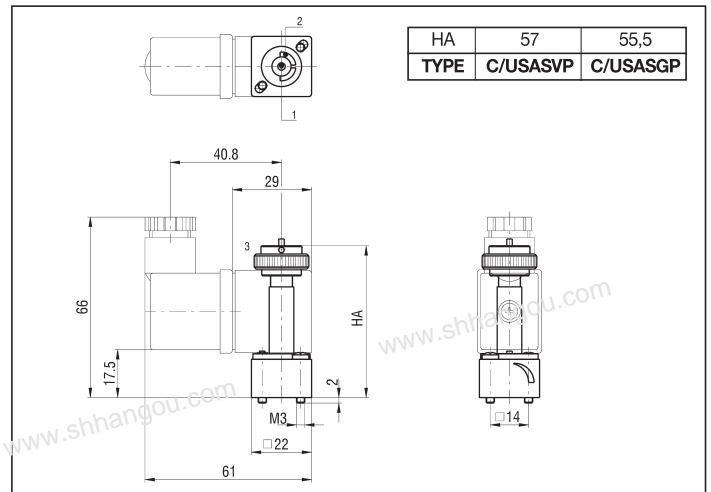
| Symbol | Function | Controls |                   | Response time at 6 bar (ms) |              | Flow rate at 6 bar<br>$\Delta P = 1$ bar<br>(Nl/min) | Manual override   | Weight (g) | TYPE*    |
|--------|----------|----------|-------------------|-----------------------------|--------------|--|-------------------|------------|----------|
|        |          | Pilot    | Return            | Energized                   | De-energized |  |                   |            |          |
|        | 3/2 N.O. | Solenoid | Mechanical spring | 10                          | 25           | 36   | Manual monostable | 45         | C/USASVP |
|        | 3/2 N.O. | Solenoid | Mechanical spring | 10                          | 25           | 36   | -                 | 30         | C/USASGP |
|        | 3/2 N.C. | Solenoid | Mechanical spring | 10                          | 25           | 36   | Manual monostable | 30         | C/USCSVP |
|        | 3/2 N.C. | Solenoid | Mechanical spring | 10                          | 25           | 36   | -                 | 30         | C/USCSGP |

\* THE TYPES OF THE SOLENOID VALVES DO NOT INCLUDE COILS

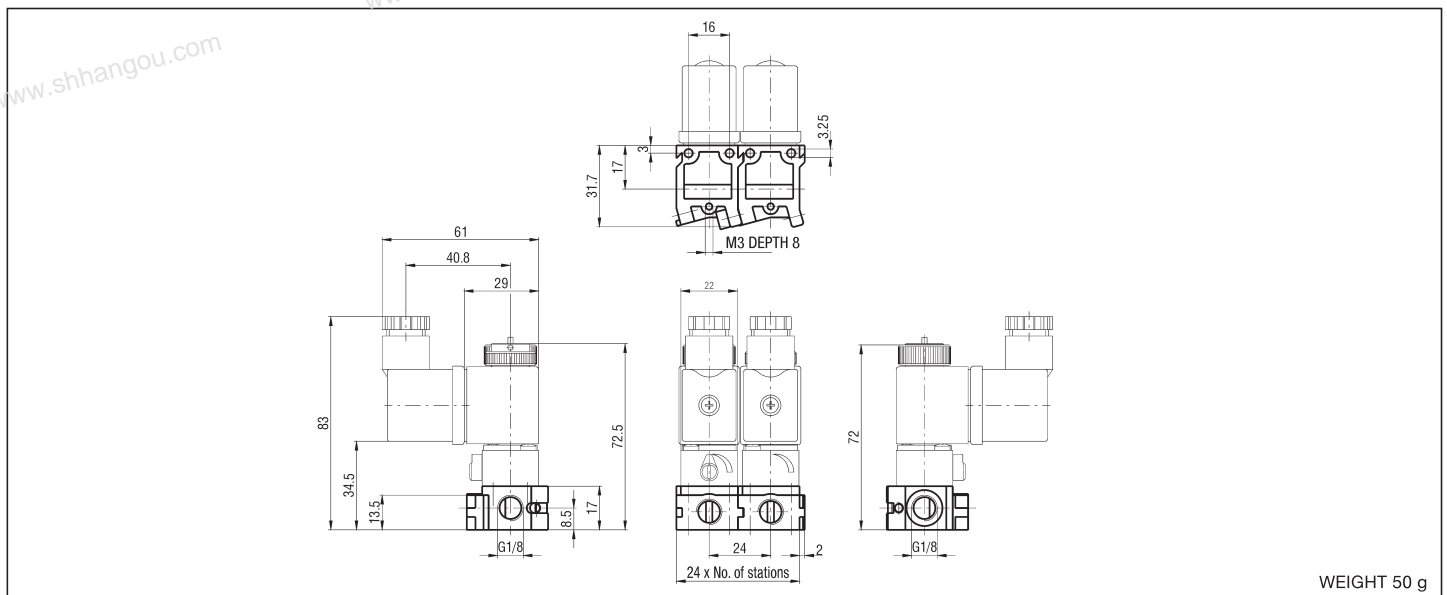
### C/USCSVP



### C/USASVP - C/USASGP



### MODULAR BASE SIDE PORTED G 1/8 - ELPP8S



HOW TO ORDER A SOLENOID VALVE COMPLETE OF COIL AND BASE

Example: 3/2 N.C. solenoid valve base mounted (with manual override) + coil 24 V D.C. ELPP8S/P/USB/02400

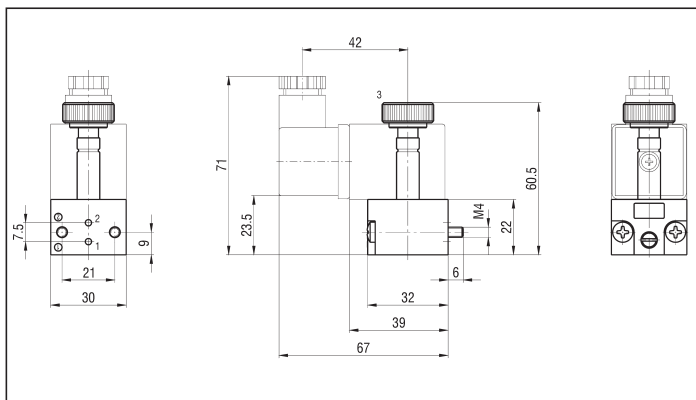
| DESCRIPTION                                      | TYPE                   |
|--|------------------------|
| 3/2 N.O. + base + coil (with manual override)    | ELPP8S/PAV/USB/voltage |
| 3/2 N.O. + base + coil (without manual override) | ELPP8S/PAG/USB/voltage |
| 3/2 N.C. + base + coil (with manual override)    | ELPP8S/P/USB/voltage   |

### 3 PORT WITH ex CNOMO INTERFACE FOR MODULAR BASES AND VALVES TO ISO 5599/1

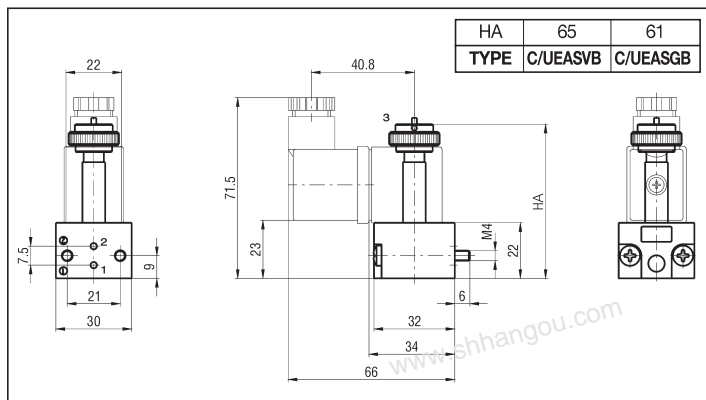
| Symbol | Function | Controls |                   | Response time at 6 bar (ms) |              | Flow rate at 6 bar $\Delta P = 1$ bar (l/min) | Manual override            | Weight (g) | TYPE*    |
|--------|----------|----------|-------------------|-----------------------------|--------------|---|----------------------------|------------|----------|
|        |          | Pilot    | Return            | Energized                   | De-energized |   |                            |            |          |
|        | 3/2 N.O. | Solenoid | Mechanical spring | 13                          | 23           | 36  | Manual monostable          | 60         | C/UEASVB |
|        | 3/2 N.O. | Solenoid | Mechanical spring | 13                          | 23           | 36  | -                          | 45         | C/UEASGB |
|        | 3/2 N.C. | Solenoid | Mechanical spring | 10                          | 25           | 36  | Bistable screw driver slot | 45         | C/UECSVB |
|        | 3/2 N.C. | Solenoid | Mechanical spring | 10                          | 25           | 36  | Monostable push button     | 45         | C/UECSPB |

\* THE TYPES OF THE SOLENOID VALVES DO NOT INCLUDE COILS

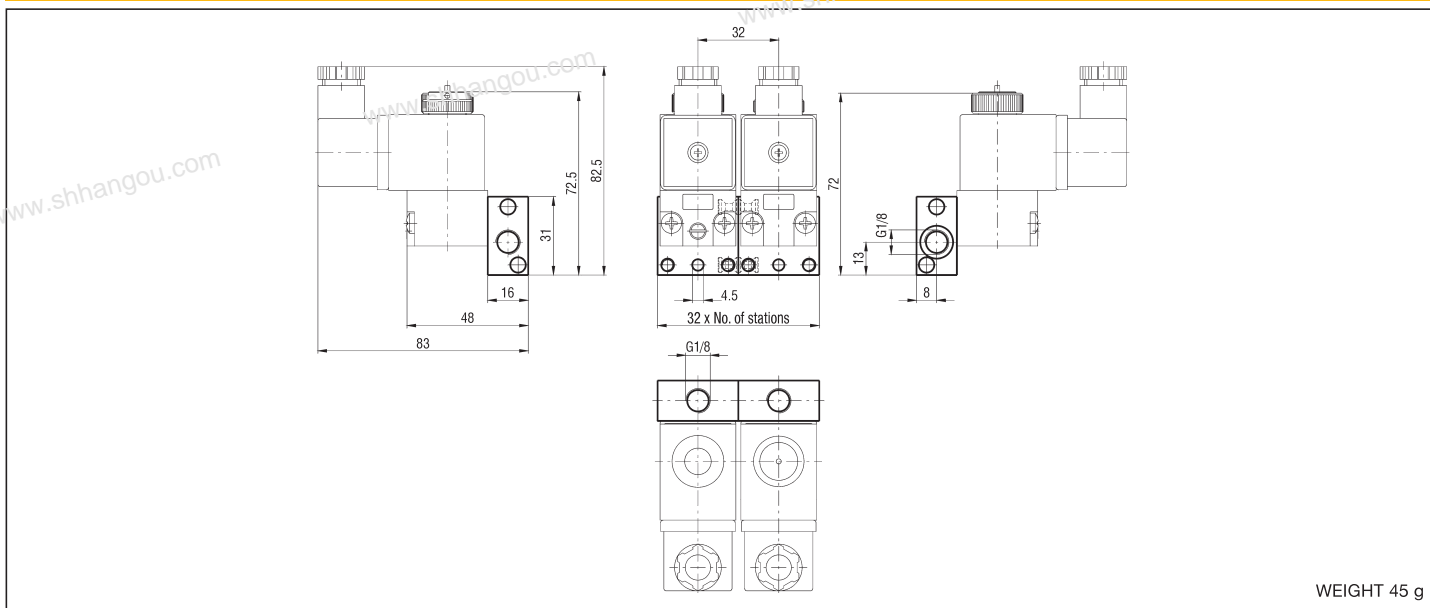
#### C/UECSVB - C/UECSPB



#### C/UEASVB - C/UEASGB



#### ex CNOMO MODULAR BASE SIDE PORTED G 1/8 - ELPG8S



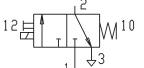
WEIGHT 45 g

HOW TO ORDER A SOLENOID VALVE COMPLETE OF COIL AND BASE

| DESCRIPTION   | TYPE                    |
|---|-------------------------|
| 3/2 N.O. + base + coil (with manual override)             | ELPG8S/BAV/USBG/voltage |
| 3/2 N.O. + base + coil (without manual override)          | ELPG8S/BAG/USBG/voltage |
| 3/2 N.C. + base + coil (with manual override)             | ELPG8S/B/USBG/voltage   |
| 3/2 N.C. + base + coil (with push button manual override) | ELPG8S/BP/USBG/voltage  |

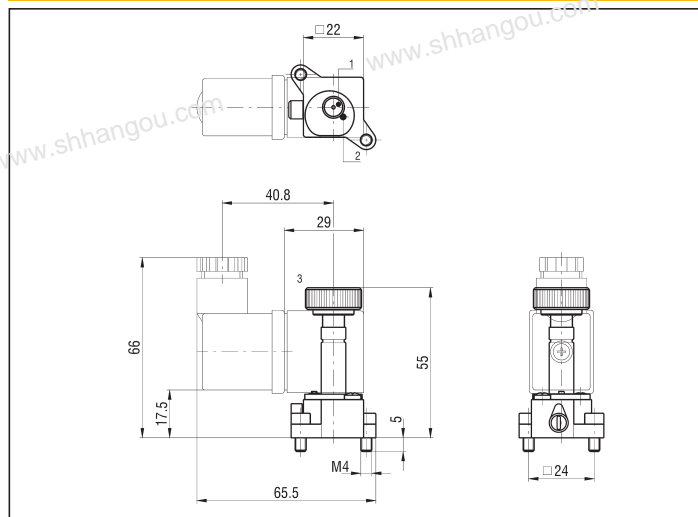
Example: 3/2 N.O. solenoid valve base mounted (with manual override) + coil 24 V D.C. ELPG8S/BAV/USBG/02400

## 3 PORT WITH INTERFACE FOR POPPET AND ex CETOP (WITH FIXED POSITION AND ROTATABLE COIL) VALVES

| Symbol  | Function | Controls |                   | Response time at 6 bar (ms) |              | Flow rate at 6 bar $\Delta P = 1$ bar (NI/min) | Manual override | Weight (g) | TYPE*    |
|---|----------|----------|-------------------|-----------------------------|--------------|--|-----------------|------------|----------|
|   |          | Pilot    | Return            | Energized                   | De-energized |  |                 |            |          |
|  | 3/2 N.C. | Solenoid | Mechanical spring | 10                          | 25           | 36   | Manual bistable | 30         | C/USCSVG |

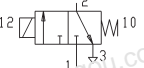
\* THE TYPES OF THE SOLENOID VALVES DO NOT INCLUDE COILS

### C/USCSVG



### 3 PORT BODY PORTED G 1/8 FOR DIRECT MOUNTING

This solenoid valve has been specifically designed to pilot single acting small cylinders and pneumatic valves. The input connection is M5 while the output has a male thread G1/8 that allows the direct assembling of the solenoid valve on the component.

| Symbol  | Function | Controls |                   | Response time at 6 bar (ms) |              | Flow rate at 6 bar $\Delta P = 1$ bar (NI/min) | Manual override | Weight (g) | TYPE*   |
|---|----------|----------|-------------------|-----------------------------|--------------|--|-----------------|------------|---------|
|   |          | Pilot    | Return            | Energized                   | De-energized |  |                 |            |         |
|  | 3/2 N.C. | Solenoid | Mechanical spring | 10                          | 20           | 36   | -               | 46         | C/ELP8M |

\* THE TYPES OF THE SOLENOID VALVES DO NOT INCLUDE COILS

### C/ELP8M

